

## Technical Features

- Aluminium frame.
- Adjustable back-rest upholstery by Velcro strap bands to help the athlete to find the right balance on the wheelchair.
- 28" rear wheels with choice of tubular or pneumatic tyres.
- 20" front wheel assembled with tubular tyres.
- Height and depth adjustable foot-rest.
- Track stop system.
- Marathon race handle bar.
- Front wheel brake.
- Rubber coated pushrims.
- Rear wheel camber: 12°
- Weight: 11 kg



Track stop system and marathon race handlebar

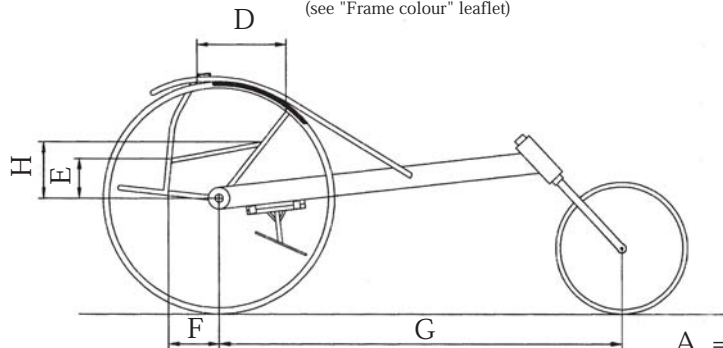


Height and depth adjustable foot-rest

## Order form

A: ..... cm  
 B: ..... cm  
 C: ..... cm  
 D: ..... cm  
 E: ..... cm  
 F: ..... cm  
 G: ..... cm  
 H: ..... cm

Rear tyres  pneumatic  tubular  
 Rubber coated  Ø 32 cm  Ø 35 cm  
 pushrims:  /Ø 38 cm  /Ø 40 cm  
 Frame colour : .....  
(see "Frame colour" leaflet)



A = B - 2 cm  
 C = B + 2 cm (women)  
 C = B (men)  
 D = 23 cm  
 E = 13 cm  
 F = 20 cm  
 G = 120 cm  
 H = 17 cm

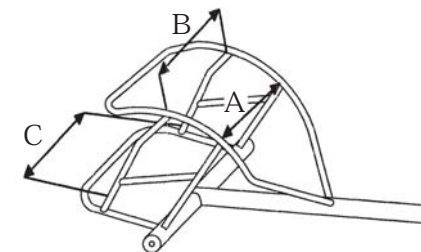
N.B. : usual measurements

## Athlete's info

Height: ..... cm  
 Weight: ..... kg  
 Injury level: .....  
 Handicap: .....

## Options

Wireless cyclo-computer:   
 Water-bottle:



Via dell' Artigianato II, 29  
 35010 Villa del Conte (PD) Italy  
 Tel. +39 049 9325733 - Fax +39 049 9325734  
 www.offcarr.com - offcarr@offcarr.com

Dealer address

Date: \_\_\_\_\_  
 Order number: \_\_\_\_\_  
 Custume ref.: \_\_\_\_\_  
 Notes: \_\_\_\_\_