

Order N° \_\_\_\_\_  Quotation  
 Date \_\_\_\_\_ Signature \_\_\_\_\_  
 Customer Ref. \_\_\_\_\_ User weight (kg) \_\_\_\_\_

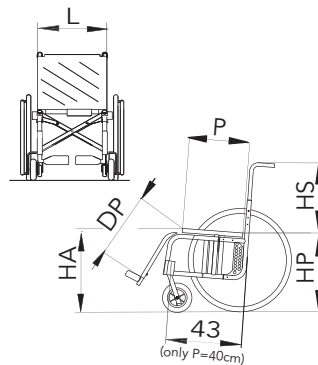
**PAGE 1/2**  
 2020, January

Dealer \_\_\_\_\_

**Key**       standard       option

# VEGA.E

<b>L</b> Seat width	<input type="checkbox"/> 34 <input type="checkbox"/> 36 <input type="checkbox"/> 38 <input type="checkbox"/> 40 <input type="checkbox"/> 42 <input type="checkbox"/> 44 <input type="checkbox"/> 46 <input type="radio"/> 48
<b>P</b> Seat depth	<input type="checkbox"/> 34 <input type="checkbox"/> 36 <input type="checkbox"/> 38 <input type="checkbox"/> 40 <input type="checkbox"/> 42 <input type="checkbox"/> 44 <input type="radio"/> 46 <input type="radio"/> 48 <input type="radio"/> 50
<b>HS</b> Back-rest height	<input type="checkbox"/> 29 <input type="checkbox"/> 31 <input type="checkbox"/> 33 <input type="checkbox"/> 35 <input type="checkbox"/> 37 <input type="checkbox"/> 39 <input type="checkbox"/> 41 <input type="radio"/> 43 <input type="radio"/> 45 <input type="radio"/> 47 <input type="radio"/> 49
<b>HA</b> Front seat/floor height	<input type="checkbox"/> 42 <input type="checkbox"/> 43 <input type="checkbox"/> 44 <input type="checkbox"/> 46 <input type="checkbox"/> 48 <input type="checkbox"/> 50 <input type="checkbox"/> 52 <input type="radio"/> 54
<b>HP</b> Rear seat/floor height	<input type="checkbox"/> 38 <input type="checkbox"/> 40 <input type="checkbox"/> 42 <input type="checkbox"/> 44 <input type="checkbox"/> 46 <input type="checkbox"/> 48 <input type="checkbox"/> 50
<b>DP</b> Foot-rest/seat distance	<input type="checkbox"/> 33 <input type="checkbox"/> 35 <input type="checkbox"/> 37 <input type="checkbox"/> 39 <input type="checkbox"/> 41 <input type="checkbox"/> 43 <input type="checkbox"/> 45 <input type="checkbox"/> 47 <input type="checkbox"/> 49 <input type="checkbox"/> 51      cm



**Frame colour**      ①

Glossy black       Pearl red       Metallic light blue  
 Pearl white       Metallic blue       Metallic grey  
 ..... (see "Colours" catalogue)  
 Neon orange       Neon green

**Upholstery**      ②

Tension adjustable nylon back-rest  
 Tens.adjustable breathable backrest  
 Without backrest  
 **SAMEKH** custom postural backrest  
(fill up the proper order form)

**Upholstery colour**      ③  
(nylon only)

Black  
 Red       Orange  
 Light blue       Green  
 Cornflower blue

**Detachable foot-rest**      ④  
(a=74° C=9cm)  
 (with DP=43cm)  
 (standard)

**Plastic separate**      ⑤  
(only DP > 35 cm and L = from 38 to 46 cm)

Foot-holding belts  
 Heel stops

**Separate aluminium profile tilt adjustable foot-plates**      ⑥

forward       backward

Foot-holding belts

**Detachable foot-rest**  
(a=65° C=13cm)  
 (with DP=43cm)

**Elevating foot-rest**  
 (detachable)

**Single aluminium profile tilt adjustable foot-plate**      ⑧  
(not available with elevating foot-rest)

forward       backward       Up & outward

Foot-holding belts

**Side guards**      ⑪

Plastic

Aluminium

Carbon fibre

Plastic round cover

**Detachable Desk arm-rest - h 22 cm**      ⑫

Open with side guards (only with HP > 42 cm)  
 Closed  
 27 cm high from the seat  
 Tip-up

**Elbow-rest**

Classic (23 cm long)  
 Straight (26 cm long)  
 Tubular (only with open arm-rest)  
 Hemiplegic RX  
 Hemiplegic LX

**Tip-up height adjustable from 22 to 28 cm "L" arm-rest**      ⑬  
(not detachable, open with side guards)

**Elbow-rest**

Tubular  
 Straight (26 cm long)  
 Classic (23 cm long)  
 Classic (30 cm long)

**Detachable "U" arm-rest - h 22 cm**      ⑭

Open with side guards (only with HP > 42 cm)  
 Closed  
 Tip-up

**Elbow-rest**

Straight (26 cm long)  
 Straight (36 cm long)  
 Tubular (only with open arm-rest)  
 Hemiplegic RX  
 Hemiplegic LX

**Height adjustable arm-rest**      ⑮  
(only closed)

Desk model  
 Sport model  
 "U" model

**Elbow-rest**

Classic (30 cm long)  
 Straight (26 cm long)  
 Hemiplegic RX  
 Hemiplegic LX  
(26 cm min. height)

Order N° \_\_\_\_\_  Quotation  
 Date \_\_\_\_\_ Signature \_\_\_\_\_  
 Customer Ref. \_\_\_\_\_

**PAGE 2/2**  
 2020, January

**VEGA.E**

Dealer \_\_\_\_\_

**Rear wheels** (16)

24" 36 spokes  24" MTB Citybike  
 22" 36 spokes  24" MTB Offroad  
 20" 36 spokes  24" Star 6x3 18 spokes  
 12"  24" Light 24 spokes

24" Ultralight 24 spokes  
 24" Spinergy

**Tyres**

24" Pneumatic Marathon Plus  
 Pneum. high press. Plugged  
 Pneum. high press. Smooth  
 Solid (not available with Ultralight)

**Pushrims** (17)

Aluminium silver  
 Aluminium dark  
 Chromium-plated steel  
 Rubber coated  
 Carbolife CURVE L 24\*\*  
 Carbolife GEKKO 24\*\*  
 Silicon covers

\* not available with Star6x3 nor MTB

**Spoke guards** (18)

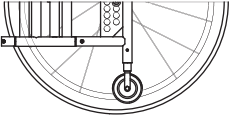
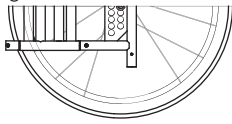
Transparent  
 Black  
 Alphabet  
 Fantasy  
 code pattern: .....  
 (see spokes guards catalogue)

**Front castors** (19)

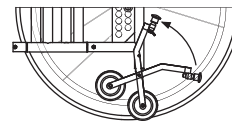
100 (4"x1.1/4) solid with plastic rim  
 100 (4"x1) solid with lights  
 100 (4"x1.1/4) solid with alum. rim  
 125 (5"x1.1/4) solid with plastic rim  
 125 (5"x1.1/4) solid with alum. rim  
 125 (5"x1) solid with lights  
 150 (6") pneumatic  
 150 (6") solid  
 175 (7") solid  
 175 (7") pneumatic

**Rear frame** (20)

With small wheels for narrow passages - standard  
 Without small wheels for narrow passages

Small wheels for narrow passages with lever



**Curved rear frame**

without camber  with camber

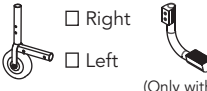
0°  
 1°  
 2°  
 3°

(it is not possible to assemble the small wheels for narrow passages)

(Compulsory: rear seat/floor height HP= from 44 to 48 cm)

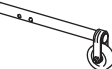
**Unbalancing pedal** (21)

Right  Right  
 Left  Left  
 (Only with curved rear frame)




**Anti-tip device**

Right  
 Left




**Revolving anti-tip device**  
 (Only with curved rear frame)

Right  
 Left



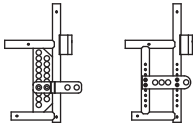
**Single drive** (22)

Right  
 Left




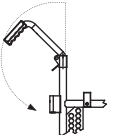
(Only with 0° camber)

**Extended wheel plate** (23)

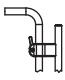


**Pushing handles** (24)

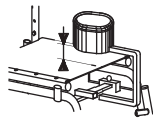
Standard  Hinged back-rest (without stretched bar HS>37) (with stretched bar HS>41)

Height adjustable



**Abductor** (25)

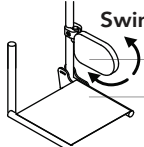


1  3  5  7 cm  
 ..... cm

Choose or specify the height from seat cover

**Lateral supports** (26)

**Swing Away**




Right  
 Left

Specify the height "h"

**Table** (27)

Transparent  
 Plastic grey  
 Soft padded  
 ORXOLX Hemiplegic transparent

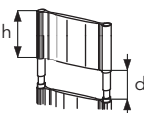
specify the fastening:  
 single  double



(Only with arm-rest)

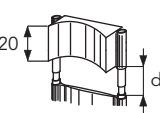
**Head-rest** (28)

**Padded**





Fixed  
 Height adjustable

**Moulded**



Fixed  
 Height adjustable


**Orbital**

Moulded  Anatomic

Specify "h" & "d" where requested  
 Standard: h = 20 cm d = 15 cm  
 h = ..... cm d = ..... cm

**Lined cushion** (29)  
 in foam polyurethane



3 cm high  
 5 cm high

**Anodized set** (31)  
 (Rear wheel rims and hubs, forks)

Black  
 Silver  
 Light blue  
 Red  
 Orange  
 Cyclamen light purple

(Only Light wheels)

**Brakes** (30)

Classic - short handle  
 Classic - pull to brake short handle  
 Classic - long handle  
 Scissor  
 Right single brake  
 Left single brake  
 Drum

(To be valued on the base of the total configuration)

**Options**

32  "M" velcro strip (hook) on seat  
 33  "F" velcro strip (loop) on seat  
 34  Seat/back-rest connection flap  
 35  Padded rigid seat h 5cm  
 36  Chest harness  
 37  Chest belt

**Opzioni** (27)

38  Abductor belt  
 39  WC seat  
 41  Catheter holder pocket  
 42  Stretched bar  
 43  Back anatomic board  
 44  Rx  Lx Crutch holder  
 45  Pump for pneumatics  
 46  Suitcase holder  
 47  45° pelvic belt  
 48  45° padded pelvic belt  
 49  Black backpack  
 51  Umbrella holder

**Notes**

-----  
 -----  
 -----  
 -----  
 -----