

# Athletics

by **off** **CARR**

TEMPEL is a racing wheelchair designed to run on tracks and roads worldwide.

Continuous research and development of the product, together with the constant help of paralympic champions make TEMPEL an extremely high performance leading product.

The careful selection of the aerodynamic set-up considerably increases individual performances.



ALVISE DE VIDÌ



## ALVISE DE VIDÌ

*Paralympic curriculum*

- 1988 **SEOUL** (1 gold - 1 bronze)
- 1992 **BARCELONA** (1 bronze)
- 1996 **ATLANTA** (2 golds - 1 silver)
- 2000 **SYDNEY** (3 golds - 1 silver - 1 bronze)
- 2004 **ATENE** (1 gold - 1 bronze)

# Tempei

## Technical Features

- Aluminium frame.
- Adjustable back-rest upholstery by Velcro strap bands to help the athlete to find the right balance on the wheelchair.
- 28" rear wheels with choice of tubular or pneumatic tyres.
- 20" front wheel assembled with tubular tyres.
- Height and depth adjustable foot-rest.
- Track stop system.
- Marathon race handle bar.
- Front wheel brake.
- Rubber coated pushrims.
- Rear wheel camber: 12°
- Weight: 11 kg



Track stop system and marathon race handlebar

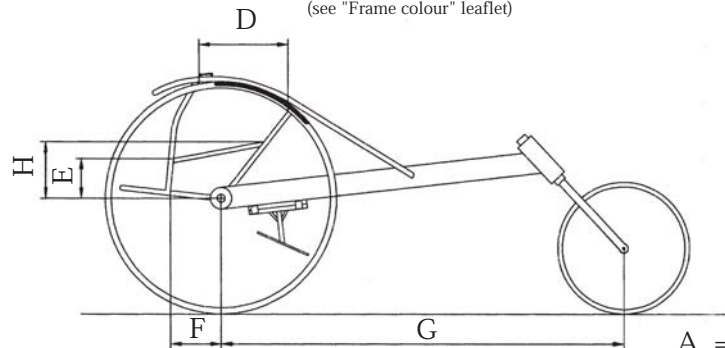


Height and depth adjustable foot-rest

## Order form

A: ..... cm  
 B: ..... cm  
 C: ..... cm  
 D: ..... cm  
 E: ..... cm  
 F: ..... cm  
 G: ..... cm  
 H: ..... cm

Rear tyres  pneumatic  tubular  
 Rubber coated  Ø 32 cm  Ø 35 cm  
 pushrims:  /Ø 38 cm  /Ø 40 cm  
 Frame colour : .....  
(see "Frame colour" leaflet)



A = B - 2 cm  
 C = B + 2 cm (women)  
 C = B (men)

D = 23 cm  
 E = 13 cm  
 F = 20 cm  
 G = 120 cm  
 H = 17 cm

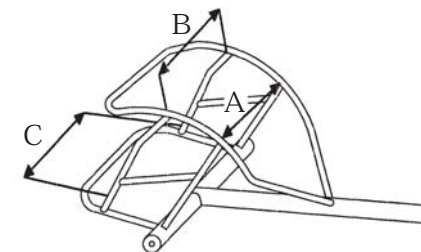
N.B. : usual measurements

## Athlete's info

Height: ..... cm  
 Weight: ..... kg  
 Injury level: .....  
 Handicap: .....

## Options

Wireless cyclo-computer:   
 Water-bottle:



Via dell' Artigianato II, 29  
 35010 Villa del Conte (PD) Italy  
 Tel. +39 049 9325733 - Fax +39 049 9325734  
 www.offcarr.com - offcarr@offcarr.com

Dealer address

Date: \_\_\_\_\_  
 Order number: \_\_\_\_\_  
 Custume ref.: \_\_\_\_\_  
 Notes: \_\_\_\_\_