

Tennis by

TOP SPIN is a wheelchair designed for tennis courts and it is ideal for use by very demanding athletes.

High versatility and adjustable set-up make the wheelchair easy to handle, enabling the athlete to achieve better performances.



TOP SPIN 1
adjustable



TOP SPIN 4
not adjustable



TOP SPIN 3
adjustable



TOP SPIN



Adjustable
foot-rest
TOP SPIN 1



Adjustable
foot-rest
TOP SPIN 3

Tennis

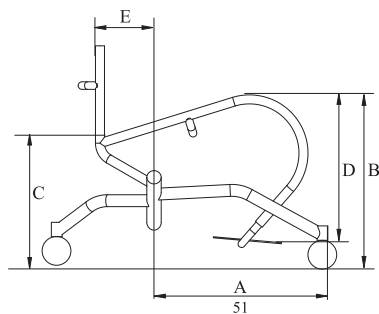
Top Spin

Technical features

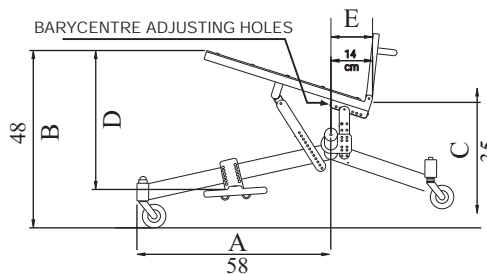
- Aluminium frame.
- Adjustable and padded nylon back-rest upholstery.
- TOP SPIN 1, 3 and 4 height adjustable back-rest.
- TOP SPIN 1 and 3 pulling down back-rest (only if higher than 30 cm).
- Tilt, height, forward & backward adjustable seat to optimise the set-up (TOP SPIN 1 and 3).
- 24", 25" and 26" quick-release rear wheels, with aluminium, rubber coated or titanium pushrims.
- 80 mm front castors.
- 80 mm height adjustable rear castor.
- Height and depth adjustable foot-rest.
- Rear wheel camber: 18°.
- Weight: Top Spin 1 10,6 kg
Top Spin 4 10 kg
Top Spin 3 11,3 kg.
(standard set up)



Adjustable seat
(TOP SPIN 1 and 3)



TOP SPIN 4 STANDARD SET-UP TRACE



TOP SPIN 1 AND 3 STANDARD SET-UP TRACE

Order form

- TOP SPIN 1 TOP SPIN 3 TOP SPIN 4
 -Frame length (TOP SPIN 1 only): (A) 58 cm 64 cm (TOP SPIN 4 and 3 only 51 cm)
 -Seat width: 36 cm 38 cm 40 cm 42 cm
 -Seat depth: 38 cm 40 cm 42 cm
 -Front seat/floor height: (B) from 34 cm to 54 cm: cm
 -Rear seat/floor height: (C) from 30 cm to 40 cm: cm
 -Back-rest height:cm
 -Back-rest: pulling down fixed tilt adjustable
 (Top spin 1 and 3)
 -Distance between seat and foot-rest: (D)cm
 -Upholstery colour: black cornflower blue red
 -Frame colour:
 (see "Frame colours" leaflets)
 Rear wheels with aluminium pushrims: 24" 25" 26"
 Distance between hub centre and back-rest
 from 8 cm to 18 cm: (E)cm (compulsory indication for TOP SPIN 4)
 Anti-tip device: single twin

Options

- Spinergy Sport wheels: 24" 25" 26"
 Polycarbonate spoke guards: with **OFFCARR** logo without **OFFCARR** logo
 Foam polyurethane lined cushion (75 Shore), h: 3cm 5cm
 Leg keeper belt: lenght cm and width cm
 Rubber coated pushrims : Titanium pushrims:
 Front grip handle: detachable fixed
 right left



Via dell' Artigianato II, 29
35010 Villa del Conte (PD) Italy
Tel. +39 049 9325733 - Fax +39 049 9325734
www.offcarr.com - offcarr@offcarr.com

Dealer address

Date: _____
 Order number: _____
 Customer ref.: _____
 Notes: _____