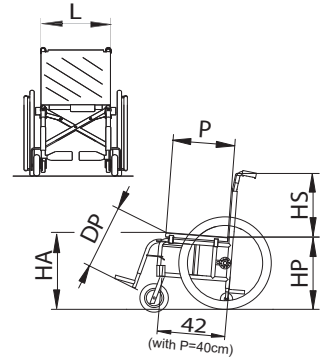


Dealer \_\_\_\_\_

# ELEGANT



Key	<input type="checkbox"/> standard	<input type="radio"/> option
<b>L</b> Seat width	<input type="checkbox"/> 34 <input type="checkbox"/> 36 <input type="checkbox"/> 38 <input type="checkbox"/> 40 <input type="checkbox"/> 42 <input type="checkbox"/> 44 <input type="radio"/> 46 <input type="radio"/> 48 <input type="radio"/> 50 <input type="radio"/> 52 <input type="radio"/> 54 <input type="radio"/> 56 <input type="radio"/> 58 <input type="radio"/> 60	
<b>P</b> Seat depth	<input type="checkbox"/> 36 <input type="checkbox"/> 38 <input checked="" type="checkbox"/> 40 <input type="checkbox"/> 42 <input type="radio"/> 44 <input type="radio"/> 46 <input type="radio"/> 48 <input type="radio"/> 50	
<b>HS</b> Back-rest height	<input type="checkbox"/> 29 <input type="checkbox"/> 31 <input type="checkbox"/> 33 <input type="checkbox"/> 35 <input type="checkbox"/> 37 <input type="checkbox"/> 39 <input type="checkbox"/> 41 <input type="radio"/> 43 <input type="radio"/> 45 <input type="radio"/> 47 <input type="radio"/> 49 <input type="radio"/> 51	
<b>HA</b> Front seat/floor height	<input type="checkbox"/> 42 <input type="checkbox"/> 43 <input type="checkbox"/> 44 <input type="checkbox"/> 46 <input type="checkbox"/> 48 <input checked="" type="checkbox"/> 50 <input type="checkbox"/> 52 <input type="radio"/> 54	
<b>HP</b> Rear seat/floor height	<input type="checkbox"/> 38 <input type="checkbox"/> 40 <input type="checkbox"/> 42 <input type="checkbox"/> 44 <input checked="" type="checkbox"/> 46 <input type="checkbox"/> 48 <input type="checkbox"/> 50	
<b>DP</b> Foot-rest/seat distance	<input type="checkbox"/> 33 <input type="checkbox"/> 35 <input type="checkbox"/> 37 <input type="checkbox"/> 39 <input type="checkbox"/> 41 <input type="checkbox"/> 43 <input type="checkbox"/> 45 <input type="checkbox"/> 47 <input type="checkbox"/> 49 <input type="checkbox"/> 51	cm

**Frame colour** ①

Metallic blue  Metallic grey  Pearl red  
 Glossy black  
 Orange  Cyclamen light purple  Metallic light blue  
 ..... (see "Colours" catalogue)

**Upholstery** ②

Nylon  
 Tension adj. nylon back-rest  
 Tension adj. breathable back-r.  
 Without back-rest  
 Without seat

**Upholstery colour** ③

(nylon only)

Black  
 Red  Orange  
 Light blue  Green  
 Cornflower blue

**Detachable foot-rest** ④

**a = 79° C = 16 cm**  
 (with DP=43cm and P=40cm)  
 (standard)  
 **a = 74° C = 21 cm**  
 (with DP=43cm and P=40cm)

**Elevating**

(approx. measurement)

**Plastic separate** ⑤

(only L = from 38 to 46 cm)

Foot-holding belts  
 Heel stops

**Open separate tubular foot-plates** ⑥

(only L = from 36 to 46 cm)

Rubber coated  
 Foot-holding belts

**Closed separate tubular foot-plates** ⑦

(only L = from 36 to 46 cm)

Rubber coated  
 Foot-holding belts  
 Heel stops

**Separate aluminium profile tilt adjustable foot-plates:** ⑧

forward  backward

Foot-holding belts

**Single aluminium profile tilt adjustable foot-plate:** ⑨

(not available with elevating foot-rest)

forward  backward

Foot-holding belts

**Plastic single** ⑩

(only L = from 36 to 44 cm)

Tip-up  
 Foot-holding belts  
 Heel stops

**Side guards** ⑫

Plastic  
 Aluminium (black)  
 Carbon fibre  
 Plastic round cover

**Detachable Desk arm-rest - h 22 cm** ⑬

Open with side guards (only with HP > 42 cm)  
 Closed  
 27 cm high from the seat  
 Tip-up

**Elbow-rest**

Classic (23 cm long)  
 Classic (30 cm long)  
 Straight (26 cm long)  
 Tubular  
 Hemiplegic RX  
 Hemiplegic LX

**Detachable Sport arm-rest - h 22 cm** ⑭

(not available with reclining back-rest)

Open with side guards (only with HP > 42 cm)  
 Closed  
 27 cm high from the seat  
 Tip-up

**Elbow-rest**

Classic (23 cm long)  
 Straight (26 cm long)  
 Tubular  
 Hemiplegic RX  
 Hemiplegic LX

**Detachable "U" arm-rest - h 22 cm** ⑮

Open with side guards (only with HP > 42 cm)  
 Closed  
 27 cm high from the seat  
 Tip-up

**Elbow-rest**

Straight (26 cm long)  
 Straight (36 cm long)  
 Tubular  
 Hemiplegic RX  
 Hemiplegic LX

**Height adjustable arm-rest (only closed)** ⑯

Desk model  
 "U" model

**Elbow-rest**

Classic (30 cm long)  
 Classic (36 cm long)  
 Straight (26 cm long)  
 Straight (36 cm long)  
 Hemiplegic RX  
 Hemiplegic LX

Dealer \_\_\_\_\_

**Rear wheels** (17)

24" (36 spokes)  
 22" (36 spokes)  
 20" (36 spokes)  
 24" Mountain-bike

**Tyres**

Pneum. Plugged ( x 1"3/8 )  
 Solid  
 Pneum. high press. Plugged  
 Pneum. high press. Smooth  
 24" Pneum. Marathon Plus

**Handrims** (18)

Chromium-plated steel  
 Aluminium silver  
 Aluminium dark  
 Rubber coated  
 Steering (only 24" & 22")  
 Tween Greep(only 24" & 22")  
 Max Grepp  
 Max Grepp Ergo (\*)  
 Silicon covers

(\*) Not available with Mountain-bike wheels

**Spoke guards** (19)

Transparent  
 White  
 Black  
 Multicolour  
 Black plumed red  
 Black plumed blue  
 Black plumed green  
 Alphabet

**Front castors** (20)

100 (4") solid  
 125 (5") solid  
 150 (6") solid  
 175 (7") solid  
 175 (7") pneumatic

**Rear frame** (21)

With small wheels for narrow passages - standard  
 Without small wheels for narrow passages

Small wheels for narrow passages with lever  
 Curved rear frame

(Compulsory: rear seat/floor height HP= from 44 to 48 cm)

(It is not possible to assemble the small wheels for narrow passages)

**Unbalancing system** (22)

Right  
 Left

(Only with curved rear frame)

**Anti-tip device**

Right  
 Left

**Revolving anti-tip device**  
(Only with curved rear frame)

Right  
 Left

**Single drive** (23)

Right  
 Left

**Extended wheel plate** (24)

Compulsory with reclining back-rest

**Pushing handles** (25)  
(Not with reclining back-rest)

Standard  
 Hinged back-rest (without stretched bar HS > 37) (with stretched bar HS > 43) (max L = 48 cm)

Height adjustable (max L = 48 cm)

**Reclining back-rest** (26)

from 90° to 150° with fixed pushing handles  
 from 90° to 150° with height adjustable pushing handles (max L = 44 cm)

Compulsory: closed arm-rest and stretched bar

**Abductor** (27)

1  3  5  7 cm  
 ..... cm

Choose or specify the height from seat cover

**Lateral supports** (28)

Right  
 Left

Specify the height "h"

**Head-rest** (29)

Padded  
 Moulded

Fixed  
 Height adjustable

**Orbital**

Moulded  Anatomic

Specify "h" & "d" where requested  
Standard: h = 20 cm d = 15 cm  
h = ..... cm d = ..... cm

**Table** (30)

Transparent  
 Plastic grey  
 Soft padded

Specify the fastening:  
 single  double

(Only with arm-rest)

**Lined cushion** (33)  
in foam polyurethane

3 cm high  
 5 cm high

**Brakes** (31)

Classic - short handle  
 Classic - long handle  
 Right single brake  
 Left single brake  
 Drum

**Options**

34  "M" velcro strip (hook) on seat  
 35  "F" velcro strip (loop) on seat  
 36  Seat/back-rest connection flap  
 37  Padded rigid seat  
 38  Chest harness  
 39  Chest belt  
 40  Abductor belt  
 41  Double cross bar  
 42  Stretched bar  
 43  WC seat  
 45  Back-rest with spring  
 46  Catheter holder pocket

**Anodized set** (32)  
(Rear wheel rims and forks)

Silver  
 Light blue  
 Orange

(Only 36 spoke wheels)

**Options**

47  Back anatomic board  
 48  Rx  Lx Crutch holder  
 49  Pump for pneumatics  
 50  Suitcase holder  
 51  45° pelvic belt  
 52  45° padded pelvic belt  
 53  Black holdall  
 54  Holdall with bottle holder  
 55  Umbrella holder  
 56  IV poles  
 57  IV bar+poles