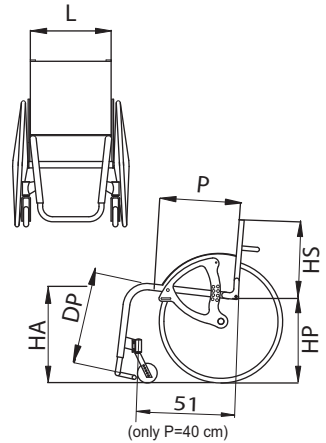


Dealer \_\_\_\_\_

**Key**       standard       option

# FENICE

- L** Seat width       34    36    38    40    42    44
- P** Seat depth       36    38    40    42    44
- HS** Back-rest height       27    29    31    33    35    37    39
- HA** Front seat/floor height       46    48    50
- HP** Rear seat/floor height       40    42    44    46
- DP** Foot-rest/seat distance       35    37    39    41    43    45    47    49      cm



- Colore telaio**      ①
- Metallic grey       Pearl white       Metallic light blue
  - Glossy black       Cyclamen light purple
  - .....(see "Colours" catalogue)

- Upholstery**      ②
- Tension adjustable nylon back-rest
  - Tension adj. breathable back-rest
  - Without back-rest

**Single tubular foot-plate**      ③

Open       Closed in carbon fibre

**Pushing handles**      ④

Without pushing handles       Standard pushing handles       Height adj. pushing handles

**Distance between the hub centre and back-rest**      ⑤

7 cm       13 cm  
 9 cm (standard)       15 cm  
 11 cm

**Back-rest tilt**      ⑥

89°  
 91° (standard)  
 93°

**Front angle**      ⑦

92° (standard) (A = 16 cm)  
 97° (A = 22 cm)

(measures are approximate for a standard arrangement)

**Rear wheel camber**      ⑧

1°       2°  
 3°       4°

**Side guards**      ⑨

Carbon fibre       Aluminium

**Brakes**      ⑩

Standard       Scissor brakes

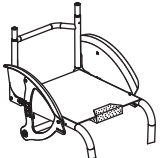
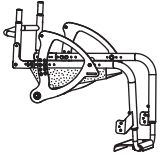
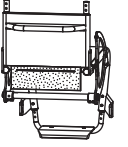
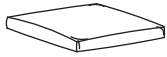
**Revolving anti tip device**      ⑪

Right  
 Left

Notes \_\_\_\_\_

Dealer \_\_\_\_\_

<p><b>Rear wheels</b> (12)</p> <p> <input type="checkbox"/> 24" Light (24 spokes)  <input type="checkbox"/> 24" Star 6x3 (18 spokes)  <input type="checkbox"/> 24" (36 spokes)  <input type="checkbox"/> 24" Mountain-bike  <input type="radio"/> 24" Ultralight (24 spokes)  <input type="radio"/> 24" Spinergy  <input type="radio"/> 24" Racer Black  <input type="radio"/> 24" Racer Grey  <input type="radio"/> 24" Racer Red  <input type="radio"/> 24" Racer Blue         </p> <p><b>Tyres</b></p> <p> <input type="checkbox"/> Pneum. Right Run  <input type="checkbox"/> Pneum. Marathon Plus  <input type="checkbox"/> Pneum. high press. Smooth  <input type="checkbox"/> Pneum. high press. Plugged  <input type="radio"/> Solid (not avail. with Ultralight)         </p>	<p><b>Handrims</b> (13)</p> <p> <input type="checkbox"/> Aluminium silver  <input type="checkbox"/> Aluminium dark  <input type="checkbox"/> Chrome-plated steel  <input type="radio"/> Titanium  <input type="radio"/> Rubber coated  <input type="radio"/> Steering (aluminium dark)(**)  <input type="radio"/> Tween Greep  <input type="radio"/> Max Grepp  <input type="radio"/> Max Grepp Ergo (**)  <input type="radio"/> Silicon covers         </p> <p style="text-align: center; font-size: small;">(**) not available with Racer and Mountain bike wheels</p>	<p><b>Spoke guards</b> (14)</p> <p> <input type="radio"/> Transparent  <input type="radio"/> White  <input type="radio"/> Black  <input type="radio"/> Multicolour  <input type="radio"/> Black plumed red  <input type="radio"/> Black plumed blue  <input type="radio"/> Black plumed green  <input type="radio"/> Alphabet         </p> <p style="text-align: center; font-size: small;">not available with Racer wheels</p>	<p><b>Front castors</b> (15)</p> <p> <input type="checkbox"/> 80 (3") solid  <input type="radio"/> 80 (3") solid with lights  <input type="checkbox"/> 100 (4"x1.1/4) solid with plastic rim  <input type="radio"/> 100 (4"x1) solid with lights  <input type="checkbox"/> 100 (4"x1) solid with aluminium rim  <input type="checkbox"/> 100 (4"x1.1/4) solid with aluminium rim  <input type="checkbox"/> 125 (5"x1.1/4) solid with plastic rim  <input type="checkbox"/> 125 (5"x1) solid with aluminium rim  <input type="checkbox"/> 125 (5"x1.1/4) solid with aluminium rim  <input type="checkbox"/> 150 (6") pneumatic  <input type="checkbox"/> 150 (6") solid         </p>
--	--	---	---

<p><b>Pocket</b> (16)</p> <div style="display: flex; align-items: flex-start;">  <input type="checkbox"/> Small under the seat     </div> <div style="display: flex; align-items: flex-start; margin-top: 10px;">  <input type="radio"/> Big under the seat     </div> <div style="display: flex; align-items: flex-start; margin-top: 10px;">  <input type="checkbox"/> On the back-rest     </div>	<p><b>Lined cushion</b> (17) in foam polyurethane</p> <div style="text-align: center; margin: 10px 0;">  </div> <p> <input type="radio"/> 3 cm high  <input type="radio"/> 5 cm high     </p>	<p><b>Options</b></p> <p>       19 <input type="checkbox"/> "M" velcro strip (hook) on seat        20 <input type="checkbox"/> "F" velcro strip (loop) on seat        21 <input type="radio"/> Padded rigid seat        22 <input type="radio"/> Chest harness        23 <input type="radio"/> Chest belt        24 <input type="radio"/> Abductor belt        25 <input type="radio"/> Catheter holder pocket        26 <input type="radio"/> Rx <input type="radio"/> Lx Crutch holder        27 <input type="radio"/> Pump for pneumatics        28 <input type="radio"/> Suitcase holder        29 <input type="radio"/> 45° pelvic belt        30 <input type="radio"/> 45° padded pelvic belt        31 <input type="radio"/> Black holdall        32 <input type="radio"/> Holdall with bottle holder        33 <input type="radio"/> Umbrella holder     </p>
<p><b>Anodized set</b> (18) <i>(Rear wheel rims and hubs, forks)</i></p> <p> <input type="checkbox"/> Black  <input type="checkbox"/> Silver  <input type="radio"/> Green  <input type="radio"/> Light blue  <input type="radio"/> Red  <input type="radio"/> Orange  <input type="radio"/> Cyclamen light purple     </p> <p style="text-align: center; font-size: small;">(only Light wheels)</p>		

**Note**

---



---



---



---



---



---



---



---