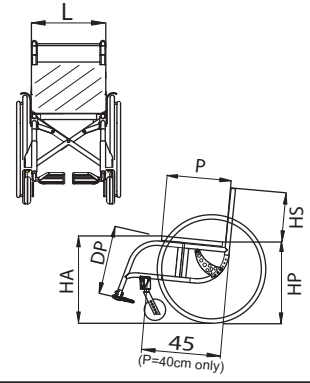


Dealer _____

HALLEY



Key	standard	option
L Seat width	<input type="checkbox"/> 34 <input type="checkbox"/> 36 <input type="checkbox"/> 38 <input type="checkbox"/> 40 <input type="checkbox"/> 42 <input type="checkbox"/> 44	
P Seat depth	<input type="checkbox"/> 36 <input type="checkbox"/> 38 <input checked="" type="checkbox"/> 40 <input type="checkbox"/> 42 <input type="checkbox"/> 44	
HS Back-rest height	<input type="checkbox"/> 29 <input type="checkbox"/> 31 <input type="checkbox"/> 33 <input type="checkbox"/> 35 <input type="checkbox"/> 37 <input type="checkbox"/> 39 <input type="checkbox"/> 41	
HA Front seat/floor height	<input type="checkbox"/> 46 <input type="checkbox"/> 48 <input checked="" type="checkbox"/> 50	
HP Rear seat/floor height	<input type="checkbox"/> 40 <input type="checkbox"/> 42 <input checked="" type="checkbox"/> 44 <input type="checkbox"/> 46	
DP Foot-rest/seat distance	<input type="checkbox"/> 35 <input type="checkbox"/> 37 <input type="checkbox"/> 39 <input type="checkbox"/> 41 <input type="checkbox"/> 43 <input type="checkbox"/> 45 <input type="checkbox"/> 47	cm

Frame colour ①

Glossy black Pearl red Metallic light blue
 Pearl white Metallic blue Metallic grey
 Shiny aluminium
 (see "Colours" catalogue)

Upholstery ②

Tension adjustable nylon back-rest
 Tension adj. breathable back-rest
 Without back-rest
 Without seat

Upholstery colour ③ (nylon only)

Black
 Red Orange
 Light blue Green
 Cornflower blue

Not detachable foot-rest ④ (with DP=43 cm and P=40 cm) (standard)

Open separate tubular foot-plates ⑤ (only L= from 36 to 44 cm) (hinged foot-plates with not detachable foot-rest)

Rubber coated
 Foot-holding belts
 Closed

Closed titanium single tubular foot-plate ⑥

Foot-holding belts

Automatic closure foot-plate ⑦ (not available with detachable foot-rest)

Foot-holding belts

Not detachable foot-rest (with DP=43 cm and P=40 cm)

Rubber coated
 Foot-holding belts
 Closed

Foot-holding belts

Foot-holding belts

Detachable foot-rest

Separate aluminium profile tilt adjustable foot-plates ⑧

forward backward

Foot-holding belts

Single aluminium profile tilt adjustable foot-plate ⑨

forward backward

Foot-holding belts

Side guards ⑩

Carbon fibre
 Aluminium

Detachable sport arm-rest h. 22 cm ⑪

Tip-up

Elbow-rest

Tubular
 Classic (23 cm long)
 Classic (30 cm long)

Tip-up height adjustable from 22 to 28 cm "L" arm-rest ⑫ (not detachable, open with sideguards)

Elbow-rest

Tubular
 Straight (26 cm long)
 Classic (23 cm long)
 Classic (30 cm long)

Rear wheels ⑬

24" Star 6x3 (18 spokes)
 24" (36 spokes)
 24" Light (24 spokes)
 24" Mountain-bike
 24" Spinergy
 24" Ultralight (24 spokes)

Tyres

Pneumatic Marathon Plus
 Pneum. high press. plugged
 Pneum. high press. smooth
 Solid (not avail. with Ultralight)

Handrims ⑭

Aluminium silver
 Aluminium dark
 Chromium-plated steel
 Steering (allum. dark)(*)
 Rubber coated
 Tween Grepp
 Max Grepp
 Max Grepp Ergo (*)
 Titanium
 Silicon covers

(*) not available with Mountain-bike wheels

