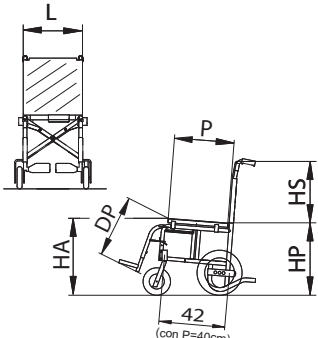
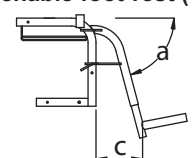
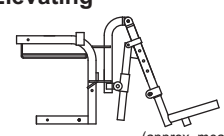
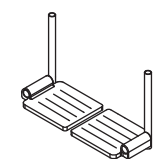
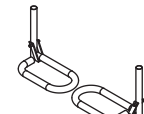

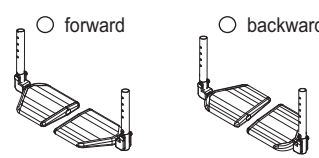
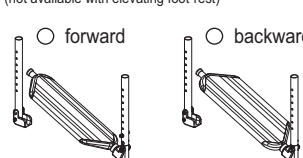
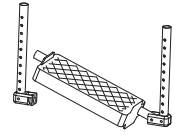
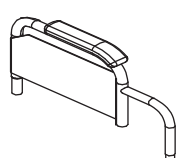
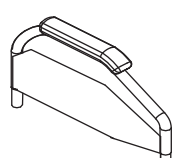
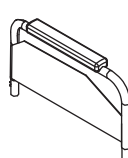
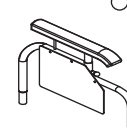
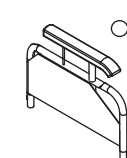


Dealer

| Key | <input type="checkbox"/> standard | <input type="radio"/> option | |
|--|---|---|---|
| <p>L Seat width <input type="checkbox"/>34 <input type="checkbox"/>36 <input type="checkbox"/>38 <input type="checkbox"/>40 <input type="checkbox"/>42 <input type="checkbox"/>44 <input type="radio"/>46 <input type="radio"/>48 <input type="radio"/>50 <input type="radio"/>52 <input type="radio"/>54 <input type="radio"/>56</p> <p>P Seat depth <input type="checkbox"/>36 <input type="checkbox"/>38 <input type="checkbox"/>40 <input type="checkbox"/>42 <input type="radio"/>44 <input type="radio"/>46 <input type="radio"/>48 <input type="radio"/>50</p> <p>HS Back-rest height <input type="checkbox"/>29 <input type="checkbox"/>31 <input type="checkbox"/>33 <input type="checkbox"/>35 <input type="checkbox"/>37 <input type="checkbox"/>39 <input type="checkbox"/>41 <input type="radio"/>43 <input type="radio"/>45 <input type="radio"/>47 <input type="radio"/>49 <input type="radio"/>51</p> <p>HA Front seat/floor height <input type="checkbox"/>44 <input type="checkbox"/>46 <input type="checkbox"/>48 <input type="checkbox"/>50 <input type="checkbox"/>52 <input type="radio"/>54</p> <p>HP Rear seat/floor height <input type="checkbox"/>44 <input type="checkbox"/>46 <input type="checkbox"/>48</p> <p>DP Foot-rest/seat distance <input type="checkbox"/>33 <input type="checkbox"/>35 <input type="checkbox"/>37 <input type="checkbox"/>39 <input type="checkbox"/>41 <input type="checkbox"/>43 <input type="checkbox"/>45 <input type="checkbox"/>47 <input type="checkbox"/>49 <input type="checkbox"/>51 cm</p> | | | <h1 style="margin: 0;">SIRIO</h1>  |
| <p>Frame colour</p> <p><input type="checkbox"/> Metallic blue <input type="checkbox"/> Pearl red <input type="checkbox"/> Metallic grey</p> <p><input type="radio"/> Orange <input type="radio"/> Cyclamen light purple <input type="radio"/> Metallic light blue</p> <p><input type="radio"/> (see "Colours" catalogue)</p> | | <p>Upholstery</p> <p><input type="checkbox"/> Nylon <input type="radio"/> Tension adj. nylon back-rest <input type="radio"/> Tension adj. breathable back-r. <input type="radio"/> Without back-rest <input type="radio"/> Without seat</p> | <p>Upholstery colour (only nylon)</p> <p><input type="checkbox"/> Black <input type="radio"/> Red <input type="radio"/> Orange <input type="radio"/> Light blue <input type="radio"/> Green <input type="radio"/> Cornflower blue</p> |
| <p><input type="checkbox"/> Not detachable foot-rest (SIRIO M)</p> <p>Detachable foot-rest (SIRIO E)</p>  <p><input type="checkbox"/> a = 79° C = 16 cm (with DP=43cm and P=40cm) (standard)</p> <p><input type="checkbox"/> a = 74° C = 21 cm (with DP=43cm and P=40cm)</p> <p><input type="radio"/> Elevating</p>  <p>(approx. measurements)</p> | <p><input type="checkbox"/> Plastic separate (only L = from 38 to 46 cm)</p>  <p><input type="radio"/> Foot-holding belts <input type="radio"/> Heel stops</p> | <p><input type="checkbox"/> Open separate tubular foot-plates (only L = from 36 to 46 cm) (hinged when not detachable foot-rest)</p>  <p><input type="radio"/> Rubber coated <input type="radio"/> Foot-holding belts</p> | <p><input type="checkbox"/> Closed separate tubular foot-plates (only L = from 36 to 46 cm) (hinged when not detachable foot-rest)</p>  <p><input type="radio"/> Rubber coated <input type="radio"/> Foot-holding belts <input type="radio"/> Heel stops</p> |
| <p><input type="checkbox"/> Separate aluminium profile tilt adjustable foot-plates:</p> <p><input type="radio"/> forward <input type="radio"/> backward</p>  <p><input type="radio"/> Foot-holding belts</p> | <p><input type="checkbox"/> Single aluminium profile tilt adjustable foot-plate: (not available with elevating foot-rest)</p> <p><input type="radio"/> forward <input type="radio"/> backward</p>  <p><input type="radio"/> Foot-holding belts</p> | <p><input type="checkbox"/> Plastic single (only L = from 36 to 44 cm)</p>  <p><input type="checkbox"/> Tip-up <input type="radio"/> Foot-holding belts <input type="radio"/> Heel stops</p> | |
| <p><input type="checkbox"/> Detachable Desk closed arm-rest - h 22 cm</p>  <p><input type="checkbox"/> 27 cm high from the seat <input type="radio"/> Tip-up</p> <p>Elbow-rest</p> <p><input type="checkbox"/> Classic (23 cm long) <input type="radio"/> Classic (30 cm long) <input type="checkbox"/> Straight (26 cm long) <input type="checkbox"/> Tubular <input type="radio"/> Hemiplegic RX <input type="radio"/> Hemiplegic LX</p> | <p><input type="checkbox"/> Detachable Sport closed arm-rest - h 22 cm (not available with reclining back-rest)</p>  <p><input type="checkbox"/> 27 cm high from the seat <input type="radio"/> Tip-up</p> <p>Elbow-rest</p> <p><input type="checkbox"/> Classic (23 cm long) <input type="checkbox"/> Straight (26 cm long) <input type="checkbox"/> Tubular <input type="radio"/> Hemiplegic RX <input type="radio"/> Hemiplegic LX</p> | <p><input type="checkbox"/> Detachable "U" closed arm-rest - h 22 cm</p>  <p><input type="checkbox"/> 27 cm high from the seat <input type="radio"/> Tip-up</p> <p>Elbow-rest</p> <p><input type="checkbox"/> Straight (26 cm long) <input type="radio"/> Straight (36 cm long) <input type="checkbox"/> Tubular <input type="radio"/> Hemiplegic RX <input type="radio"/> Hemiplegic LX</p> | <p>Height adjustable arm-rest</p> <p><input type="radio"/> Desk model</p>  <p><input type="radio"/> "U" model</p>  <p>Elbow-rest</p> <p><input type="checkbox"/> Classic (26 cm long) <input type="radio"/> Classic (36 cm long) <input type="checkbox"/> Straight (26 cm long) <input type="checkbox"/> Straight (36 cm long) <input type="radio"/> Hemiplegic RX <input type="radio"/> Hemiplegic LX</p> |

Dealer _____

Rear wheels (15)

12" fixed
 12" quick-release

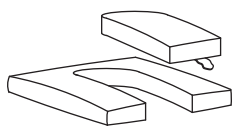
Tyres

Pneumatic plugged
 Solid

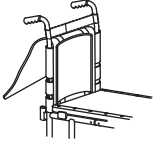
Front castors (16)

125 (5") solid
 150 (6") solid
 175 (7") solid
 175 (7") pneumatic

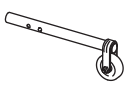
WC seat (17)



Back anatomic board (18)



Anti-tip device (19)



Right
 Left

Crutch holder (20)

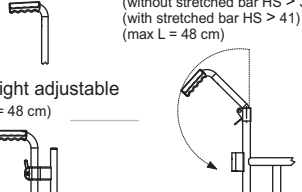
Right
 Left

(not available with stretched bar)

Pushing handles (21)
 (not with reclining back-rest)

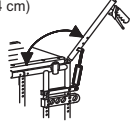
Standard
 Hinged back-rest (without stretched bar HS > 37) (with stretched bar HS > 41) (max L = 48 cm)

Height adjustable (max L = 48 cm)



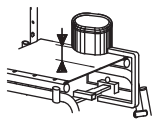
Reclining back-rest (22)

from 90° to 150° with fixed pushing handles
 from 90° to 150° with height adjustable pushing handles (max L = 44 cm)



Compulsory: closed arm-rest and stretched bar

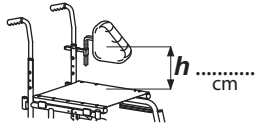
Abductor (23)



1 3 5 7 cm
 cm

Choose or specify the height from seat cover

Lateral supports (24)



Right
 Left

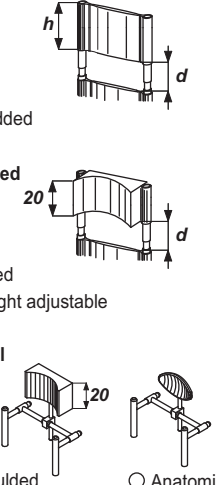
Specify the height "h"

Head-rest (25)

Padded
 Moulded
 Fixed
 Height adjustable

Orbital

Moulded Anatomic

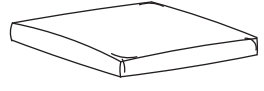


Specify "h" & "d" where requested
 Standard: h = 20 cm d = 15 cm
 h = cm d = cm

Brakes (26)

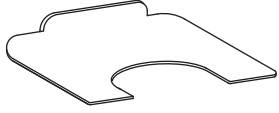
Classic - short lever
 Classic - long lever
 Drum

Lined cushion in foam polyurethane (28)



3 cm high
 5 cm high

Table (27)



(Only with arm-rests)

Transparent
 Plastic grey
 Soft padded

Specify the fastening:
 single double

Options

29 "M" velcro strip (hook) on seat
 30 "F" velcro strip (loop) on seat
 31 Seat/back-rest connection flap
 32 Padded rigid seat
 33 Chest harness
 34 Chest belt
 35 Abductor belt
 36 Double cross bar
 37 Stretched bar
 38 Back-rest with spring
 39 Catheter holder pocket

Options

40 Pump for pneumatics
 41 Suitcase holder
 42 45° pelvic belt
 43 45° padded pelvic belt
 44 Black holdall
 45 Holdall with bottle holder
 46 Umbrella holder
 47 IV bar + poles
 48 IV poles

Notes
