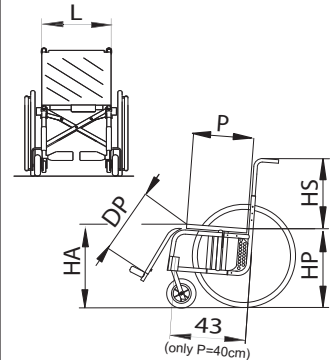


Dealer

# VEGA.E



Key	<input type="checkbox"/> standard	<input type="radio"/> option
L Seat width	<input type="checkbox"/> 34 <input type="checkbox"/> 36 <input type="checkbox"/> 38 <input type="checkbox"/> 40 <input type="checkbox"/> 42 <input type="checkbox"/> 44 <input type="checkbox"/> 46 <input type="radio"/> 48	
P Seat depth	<input type="checkbox"/> 34 <input type="checkbox"/> 36 <input type="checkbox"/> 38 <input checked="" type="checkbox"/> 40 <input type="checkbox"/> 42 <input type="checkbox"/> 44 <input type="radio"/> 46 <input type="radio"/> 48 <input type="radio"/> 50	
HS Back-rest height	<input type="checkbox"/> 29 <input type="checkbox"/> 31 <input type="checkbox"/> 33 <input type="checkbox"/> 35 <input type="checkbox"/> 37 <input type="checkbox"/> 39 <input type="checkbox"/> 41 <input type="radio"/> 43 <input type="radio"/> 45 <input type="radio"/> 47 <input type="radio"/> 49	
HA Front seat/floor height	<input type="checkbox"/> 42 <input type="checkbox"/> 43 <input type="checkbox"/> 44 <input type="checkbox"/> 46 <input type="checkbox"/> 48 <input checked="" type="checkbox"/> 50 <input type="checkbox"/> 52 <input type="radio"/> 54	
HP Rear seat/floor height	<input type="checkbox"/> 38 <input type="checkbox"/> 40 <input type="checkbox"/> 42 <input type="checkbox"/> 44 <input checked="" type="checkbox"/> 46 <input type="checkbox"/> 48 <input type="checkbox"/> 50	
DP Foot-rest/seat distance	<input type="checkbox"/> 33 <input type="checkbox"/> 35 <input type="checkbox"/> 37 <input type="checkbox"/> 39 <input type="checkbox"/> 41 <input type="checkbox"/> 43 <input type="checkbox"/> 45 <input type="checkbox"/> 47 <input type="checkbox"/> 49 <input type="checkbox"/> 51	cm

**Frame colour** ①

Glossy black     Pearl red     Metallic light blue  
 Pearl white     Metallic blue     Metallic grey  
 Shiny aluminium  
 ..... (see "Colours" catalogue)

**Upholstery** ②

Tension adjustable nylon back-rest  
 Tension adj. breathable back-rest  
 Without back-rest  
 Without seat

**Upholstery colour** ③  
(nylon only)

Black  
 Red     Orange  
 Light blue     Green  
 Cornflower blue

**Detachable foot-rest** ④  
( $\alpha=74^\circ$  C=9cm)  
(with DP=43cm)  
(standard)

Detachable foot-rest  
( $\alpha=65^\circ$  C=13cm)  
(with DP=43cm)

Elevating foot-rest (detachable)

**Open separate tubular foot-plates** ⑤  
(only L = from 36 to 46 cm)

Rubber coated  
 Foot-holding belts

**Closed separate tubular foot-plates** ⑥  
(only L = from 36 to 46 cm)

Rubber coated  
 Foot-holding belts  
 Heel stops

**Plastic separate foot-plates** ⑦  
(only DP > 35 cm and L = from 38 to 46 cm)

Foot-holding belts  
 Heel stops

**Separate aluminium profile tilt adjustable foot-plates** ⑧

forward     backward

Foot-holding belts

**Single aluminium profile tilt adjustable foot-plate** ⑨  
(not available with elevating foot-rest)

forward     backward

Foot-holding belts

**Plastic single foot-plate** ⑩

Tip-up  
 Foot-holding belts  
 Heel stops

**Side guards** ⑪

Plastic  
 Aluminium  
 Carbon fibre  
 Plastic round cover

**Detachable Desk arm-rest - h 22 cm** ⑫

Open with side guards (only with HP > 42 cm)  
 Closed  
 27 cm high from the seat  
 Tip-up

**Elbow-rest**

Classic (23 cm long)  
 Classic (30 cm long)  
 Straight (26 cm long)  
 Tubular (only with open arm-rest)  
 Hemiplegic RX  
 Hemiplegic LX

**Tip-up height adjustable from 22 to 28 cm "L" arm-rest** ⑬  
(not detachable, open with side guards)

**Elbow-rest**

Tubular  
 Straight (26 cm long)  
 Classic (23 cm long)  
 Classic (30 cm long)

**Detachable "U" arm-rest - h 22 cm** ⑭

Open with side guards (only with HP > 42 cm)  
 Closed  
 Tip-up

**Elbow-rest**

Straight (26 cm long)  
 Straight (36 cm long)  
 Tubular (only with open arm-rest)  
 Hemiplegic RX  
 Hemiplegic LX

**Height adjustable arm-rest (only closed)** ⑮

Desk model  
 "U" model

**Elbow-rest**

Classic (30 cm long)  
 Straight (26 cm long)  
 Hemiplegic RX  
 Hemiplegic LX

Dealer \_\_\_\_\_

**Rear wheels** (16)

24" 36 spokes  24" Mountain-bike  
 22" 36 spokes  24" Star 6x3 18 spokes  
 20" 36 spokes  24" Light 24 spokes  
 12"  
 24" Ultralight 24 spokes  
 24" Racer  
 24" Spinergy

**Tyres**

24" Pneumatic Marathon Plus  
 Pneum. high press. Plugged  
 Pneum. high press. Smooth  
 Solid (not available with Ultralight)

**Handrims** (17)

Aluminium silver  
 Aluminium dark  
 Chromium-plated steel  
 Steering (only 24" and 22") (\*)  
 Rubber coated  
 Tween Grepp (only 24" & 22")  
 Max Grepp  
 Max Grepp Ergo (\*)  
 Titanium  
 Silicon covers

**Spoke guards** (18)

Transparent  
 White  
 Black  
 Multicolour  
 Black plumed red  
 Black plumed blue  
 Black plumed green  
 Alphabet  
 not available with Racer wheels

**Front castors** (19)

100 (4"x1.1/4) solid with plastic rim  
 100 (4"x1) solid with lights  
 100 (4"x1) solid with alum. rim  
 100 (4"x1.1/4) solid with alum. rim  
 125 (5"x1.1/4) solid with plastic rim  
 125 (5"x1) solid with alum. rim  
 125 (5"x1.1/4) solid with alum. rim  
 150 (6") pneumatic  
 150 (6") solid  
 175 (7") solid  
 175 (7") pneumatic

**Rear frame** (20)

With small wheels for narrow passages - standard  
 Without small wheels for narrow passages  
 Small wheels for narrow passages with lever  
 Curved rear frame  
 without camber  with camber  
 0°  1°  2°  3°  
 (it is not possible to assemble the small wheels for narrow passages)

**Unbalancing pedal** (21)

Right  Left  
 Right  Left  
 (Only with curved rear frame)

**Anti-tip device**

Right  Left

**Revolving anti-tip device**  
(Only with curved rear frame)

Right  Left

**Single drive** (22)

Right  
 Left

(Only with 0° camber)

**Extended wheel plate** (23)

**Pushing handles** (24)

Standard  Hinged back-rest (without stretched bar HS>37) (with stretched bar HS>41)  
 Height adjustable

**Abductor** (25)

1  3  5  7 cm  
 ..... cm  
 Choose or specify the height from seat cover

**Lateral supports** (26)

Right  Left  
 Specify the height "h"

**Table** (27)

Transparent  
 Plastic grey  
 Soft padded

specify the fastening:

single  double

(Only with arm-rest)

**Head-rest** (28)

Padded  
 Moulded  
 Fixed  Height adjustable  
 Orbital  
 Moulded  Anatomic

Specify "h" & "d" where requested  
Standard: h = 20 cm d = 15 cm  
h = ..... cm d = ..... cm

**Lined cushion** (29)  
in foam polyurethane

3 cm high  
 5 cm high

**Anodized set** (31)  
(Rear wheel rims and hubs, forks)

Black  
 Silver  
 Green  
 Light blue  
 Red  
 Orange  
 Cyclamen light purple  
 (Only Light wheels)

**Brakes** (30)

Classic - short handle  
 Classic-pull to brake short handle  
 Classic-long handle  
 Scissor  
 Right single brake  
 Left single brake  
 Drum

**Options**

32 "M" velcro strip (hook) on seat  
 33 "F" velcro strip (loop) on seat  
 34 Seat/back-rest connection flap  
 35 Padded rigid seat  
 36 Chest harness  
 37 Chest belt

**Opzioni**

38 Abductor belt  
 39 WC seat  
 40 4m extended frame  
 41 Catheter holder pocket  
 42 Stretched bar  
 43 Back anatomic board  
 44 Rx  Lx Crutch holder  
 45 Pump for pneumatics  
 46 Suitcase holder  
 47 45° pelvic belt  
 48 45° padded pelvic belt  
 49 Black holdall  
 50 Holdall with bottle holder  
 51 Umbrella holder

**Notes**

\_\_\_\_\_

\_\_\_\_\_

\_\_\_\_\_

\_\_\_\_\_