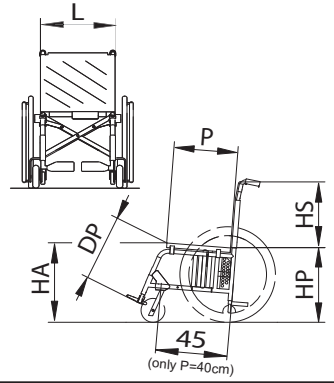


Dealer

Key standard option

VEGA



L Seat width	<input type="checkbox"/> 34 <input type="checkbox"/> 36 <input type="checkbox"/> 38 <input type="checkbox"/> 40 <input type="checkbox"/> 42 <input type="checkbox"/> 44 <input type="checkbox"/> 46 <input type="radio"/> 48
P Seat depth	<input type="checkbox"/> 34 <input type="checkbox"/> 36 <input type="checkbox"/> 38 <input checked="" type="checkbox"/> 40 <input type="checkbox"/> 42 <input type="checkbox"/> 44 <input type="radio"/> 46 <input type="radio"/> 48 <input type="radio"/> 50
HS Back-rest height	<input type="checkbox"/> 29 <input type="checkbox"/> 31 <input type="checkbox"/> 33 <input type="checkbox"/> 35 <input type="checkbox"/> 37 <input type="checkbox"/> 39 <input type="checkbox"/> 41 <input type="radio"/> 43 <input type="radio"/> 45 <input type="radio"/> 47 <input type="radio"/> 49
HA Front seat/floor height	<input type="checkbox"/> 42 <input type="checkbox"/> 43 <input type="checkbox"/> 44 <input type="checkbox"/> 46 <input type="checkbox"/> 48 <input checked="" type="checkbox"/> 50 <input type="checkbox"/> 52 <input type="radio"/> 54
HP Rear seat/floor height	<input type="checkbox"/> 38 <input type="checkbox"/> 40 <input type="checkbox"/> 42 <input type="checkbox"/> 44 <input checked="" type="checkbox"/> 46 <input type="checkbox"/> 48 <input type="checkbox"/> 50
DP Foot-rest/seat distance	<input type="checkbox"/> 33 <input type="checkbox"/> 35 <input type="checkbox"/> 37 <input type="checkbox"/> 39 <input type="checkbox"/> 41 <input type="checkbox"/> 43 <input type="checkbox"/> 45 <input type="checkbox"/> 47 <input type="checkbox"/> 49 <input type="checkbox"/> 51 cm

Frame colour ①

Glossy black Pearl red Metallic light blue
 Pearl white Metallic blue Metallic grey
 Shiny aluminium
 (see "Colours" catalogue)

Upholstery ②

Tension adjustable nylon back-rest
 Tension adj. breathable back-rest
 Without back-rest
 Without seat

Upholstery colour ③
(nylon only)

Black
 Red Orange
 Light blue Green
 Cornflower blue

Not detachable foot-rest ④

Detachable foot-rest

Elevating foot-rest (detachable)

Separate aluminium profile tilt adjustable foot-plates: ⑤

forward backward

 Foot-holding belts

Open separate tubular foot-plates ⑥
(only L = from 36 to 46 cm)
(hinged foot-plates with not detachable foot-rest)

Rubber coated
 Foot-holding belts

Closed separate tubular foot-plates ⑦
(only L = from 36 to 46 cm)
(hinged foot-plates with not detachable foot-rest)

Rubber coated
 Foot-holding belts
 Heel stops

Plastic separate ⑧
(only DP > 35 cm and L = from 38 to 46 cm)

Foot-holding belts
 Heel stops

Single aluminium profile tilt adjustable foot-plates ⑨
(not available with elevating foot-rest)

forward backward

 Foot-holding belts

Closed titanium single tubular foot-plate ⑩

Foot-holding belts
 Heel stops

Automatic closure foot-plate ⑪
(not available with detachable or elevating foot-rest)

Foot-holding belts

Side guards ⑫

Plastic
 Aluminium
 Carbon fibre
 Plastic round cover

Detachable Desk arm-rest - h 22 cm ⑬

Open with side guards (only with HP > 42 cm)
 Closed
 27 cm high from the seat
 Tip-up

Elbow-rest

Classic (23 cm long)
 Classic (30 cm long)
 Straight (26 cm long)
 Tubular (only with open arm-rest)
 Hemiplegic RX
 Hemiplegic LX

Tip-up height adjustable from 22 to 28 cm "L" arm-rest ⑭
(not detachable, open with sideguards)

Elbow-rest
 Tubular
 Straight (26 cm long)
 Classic (23 cm long)
 Classic (30 cm long)

Detachable "U" arm-rest - h 22 cm ⑮

Open with side guards (only with HP > 42 cm)
 Closed
 Tip-up

Elbow-rest

Straight (26 cm long)
 Straight (36 cm long)
 Tubular (only with open arm-rest)
 Hemiplegic RX
 Hemiplegic LX

Height adjustable arm-rest (only closed) ⑯

Desk model
 "U" model

Elbow-rest

Classic (30 cm long)
 Straight (26 cm long)
 Hemiplegic RX
 Hemiplegic LX

Dealer

<p>Rear wheels ⑰</p> <p> <input type="checkbox"/> 24" 36 spokes <input type="checkbox"/> 24" Mountain-bike <input type="checkbox"/> 22" 36 spokes <input type="checkbox"/> 24" Star 6x3 18 spokes <input type="checkbox"/> 20" 36 spokes <input type="checkbox"/> 24" Light 24 spokes <input type="checkbox"/> 12" <input type="checkbox"/> 24" Ultralight 24 spokes <input type="checkbox"/> 24" Racer <input type="checkbox"/> 24" Spinergy </p> <p>Tyres</p> <p> <input type="checkbox"/> 24" Pneumatic Marathon Plus <input type="checkbox"/> Pneum. high pressure Plugged <input type="checkbox"/> Pneum. high pressure smooth <input type="checkbox"/> Solid (not available with Ultralight) </p>	<p>Handrims ⑱</p> <p> <input type="checkbox"/> Aluminium silver <input type="checkbox"/> Aluminium dark <input type="checkbox"/> Chromium-plated steel <input type="checkbox"/> Steering (only 24" and 22") (*) <input type="checkbox"/> Rubber coated <input type="checkbox"/> Tween Greep (only 24" & 22") <input type="checkbox"/> Max Grepp <input type="checkbox"/> Max Grepp Ergo (*) <input type="checkbox"/> Titanium <input type="checkbox"/> Silicon covers </p> <p>(*) not available with Racer and Mountain Bike wheels</p>	<p>Spoke guards ⑲</p> <p> <input type="checkbox"/> Transparent <input type="checkbox"/> White <input type="checkbox"/> Black <input type="checkbox"/> Multicolour <input type="checkbox"/> Black plumed red <input type="checkbox"/> Black plumed blue <input type="checkbox"/> Black plumed green <input type="checkbox"/> Alphabet </p> <p>not available with Racer wheels</p>	<p>Front castors ⑳</p> <p> <input type="checkbox"/> 100 (4"x1.1/4") solid with plastic rim <input type="checkbox"/> 100 (4"x1) solid with lights <input type="checkbox"/> 100 (4"x1) solid with aluminium rim <input type="checkbox"/> 100 (4"x1.1/4) solid with alum. rim <input type="checkbox"/> 125 (5"x1.1/4) solid with plastic rim <input type="checkbox"/> 125 (5"x1) solid with aluminium rim <input type="checkbox"/> 125 (5"x1.1/4) solid with alum. rim <input type="checkbox"/> 150 (6") pneumatic <input type="checkbox"/> 150 (6") solid <input type="checkbox"/> 175 (7") solid <input type="checkbox"/> 175 (7") pneumatic </p>
<p>Rear frame ㉑</p> <p> <input type="checkbox"/> With small wheels for narrow passages - standard <input type="checkbox"/> Without small wheels for narrow passages </p> <p> <input type="checkbox"/> Small wheels for narrow passages with lever <input type="checkbox"/> Curved rear frame <input type="checkbox"/> without camber <input type="checkbox"/> with camber </p> <p> <input type="checkbox"/> 0° <input type="checkbox"/> 1° <input type="checkbox"/> 2° <input type="checkbox"/> 3° </p> <p>(Compulsory: rear seat/floor height HP= from 44 to 48 cm) (it is not possible to assemble the small wheels for narrow passages)</p>		<p>Unbalancing system ㉒</p> <p> <input type="checkbox"/> Right <input type="checkbox"/> Right <input type="checkbox"/> Left <input type="checkbox"/> Left (Only with curved rear frame) </p> <p>Anti-tip device</p> <p> <input type="checkbox"/> Right <input type="checkbox"/> Left </p> <p>Revolving anti-tip device (Only with curved rear frame)</p> <p> <input type="checkbox"/> Right <input type="checkbox"/> Left </p>	<p>Single drive ㉓</p> <p> <input type="checkbox"/> Right <input type="checkbox"/> Left </p> <p>(Only with 0° camber)</p> <p>Extended wheel plate ㉔</p>
<p>Pushing handles ㉕</p> <p> <input type="checkbox"/> Standard <input type="checkbox"/> Hinged back-rest (without stretched bar HS>37) (with stretched bar HS>41) </p>	<p>Abductor ㉖</p> <p> <input type="checkbox"/> 1 <input type="checkbox"/> 3 <input type="checkbox"/> 5 <input type="checkbox"/> 7 cm <input type="checkbox"/> cm Choose or specify the height from seat cover </p>	<p>Lateral supports ㉗</p> <p> <input type="checkbox"/> Right <input type="checkbox"/> Left Specify the height "h" </p>	<p>Table ㉘</p> <p> <input type="checkbox"/> Transparent <input type="checkbox"/> Plastic grey <input type="checkbox"/> Soft padded </p> <p>specify the fastening: <input type="checkbox"/> single <input type="checkbox"/> double </p> <p>(Only with arm-rest)</p>
<p>Head-rest ㉙</p> <p> <input type="checkbox"/> Padded <input type="checkbox"/> Moulded <input type="checkbox"/> Fixed <input type="checkbox"/> Height adjustable <input type="checkbox"/> Orbital <input type="checkbox"/> Moulded <input type="checkbox"/> Anatomic </p> <p>Specify "h" & "d" where requested Standard: h = 20 cm d = 15 cm h = cm d = cm </p>	<p>Lined cushion ㉚ in foam polyurethane</p> <p> <input type="checkbox"/> 3 cm high <input type="checkbox"/> 5 cm high </p> <p>Anodized set ㉛ (Rear wheel rims and hubs, forks)</p> <p> <input type="checkbox"/> Black <input type="checkbox"/> Silver <input type="checkbox"/> Green <input type="checkbox"/> Light blue <input type="checkbox"/> Red <input type="checkbox"/> Orange <input type="checkbox"/> Cyclamen light purple (Only Light wheels) </p>	<p>Brakes ㉜</p> <p> <input type="checkbox"/> Classic-short handle <input type="checkbox"/> Classic-pull to brake short handle <input type="checkbox"/> Classic-long handle <input type="checkbox"/> Scissor <input type="checkbox"/> Right single brake <input type="checkbox"/> Left single brake <input type="checkbox"/> Drum </p> <p>Options</p> <p> 33 <input type="checkbox"/> "M" velcro strip (hook) on seat 34 <input type="checkbox"/> "F" velcro strip (loop) on seat 35 <input type="checkbox"/> Seat/back-rest connection flap 36 <input type="checkbox"/> Padded rigid seat 37 <input type="checkbox"/> Chest harness 38 <input type="checkbox"/> Chest belt </p> <p>Options</p> <p> 39 <input type="checkbox"/> Abductor belt 40 <input type="checkbox"/> WC seat 41 <input type="checkbox"/> 4cm extended frame 42 <input type="checkbox"/> Catheter holder pocket 43 <input type="checkbox"/> Stretched bar 44 <input type="checkbox"/> Back anatomic board 45 <input type="checkbox"/> Rx <input type="checkbox"/> Lx Crutch holder 46 <input type="checkbox"/> Pump for pneumatics 47 <input type="checkbox"/> Suitcase holder 48 <input type="checkbox"/> 45° pelvic belt 49 <input type="checkbox"/> 45° padded pelvic belt 50 <input type="checkbox"/> Black holdall 51 <input type="checkbox"/> Holdall with bottle holder 52 <input type="checkbox"/> Umbrella holder </p> <p>Notes</p> <hr/> <hr/> <hr/> <hr/>	