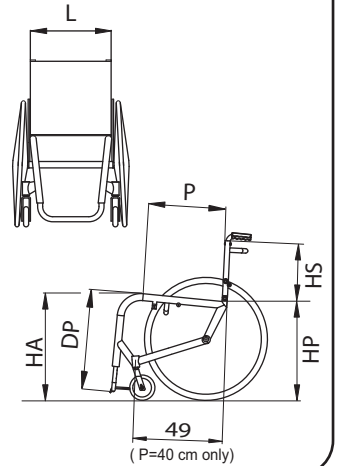


Dealer _____

ZODIAC

Key	standard	○ option
L Seat width	<input type="checkbox"/> 34 <input type="checkbox"/> 36 <input type="checkbox"/> 38 <input type="checkbox"/> 40 <input type="checkbox"/> 42 <input type="checkbox"/> 44	
P Seat depth	<input type="checkbox"/> 36 <input type="checkbox"/> 38 <input checked="" type="checkbox"/> 40 <input type="checkbox"/> 42 <input type="checkbox"/> 44	
HS Back-rest height	<input type="checkbox"/> 27 <input type="checkbox"/> 29 <input type="checkbox"/> 31 <input type="checkbox"/> 33 <input type="checkbox"/> 35 <input type="checkbox"/> 37 <input type="checkbox"/> 39	
HA Front seat/floor height	<input type="checkbox"/> 46 <input type="checkbox"/> 48 <input type="checkbox"/> 50	
HP Rear seat/floor height	<input type="checkbox"/> 40 <input type="checkbox"/> 42 <input type="checkbox"/> 44 <input type="checkbox"/> 46	
DP Foot-rest/seat distance	<input type="checkbox"/> 35 <input type="checkbox"/> 37 <input type="checkbox"/> 39 <input type="checkbox"/> 41 <input type="checkbox"/> 43 <input type="checkbox"/> 45 <input type="checkbox"/> 47 <input type="checkbox"/> 49	cm



Frame colour <input type="checkbox"/> Metallic grey <input type="checkbox"/> Pearl white <input type="checkbox"/> Metallic light blue <input type="checkbox"/> Glossy black <input type="checkbox"/> Cyclamen light purple <input type="checkbox"/> (see "Colours" catalogue)	Upholstery <input type="checkbox"/> Tension adjustable nylon back-rest <input type="checkbox"/> Tension adj. breathable back-rest <input type="checkbox"/> Without back-rest
---	--

Single tubular foot-plate ③

Open Closed

Pushing handles ④

Without pushing handles Standard pushing handles Height adjustable pushing handles

Distance between the hub centre and back-rest ⑤

7 cm 13 cm
 9 cm (standard) 15 cm
 11 cm

Back-rest tilt ⑥

89°
 91° (standard)
 93°

Front angle ⑦

70°
 82° (standard)

Rear wheel camber ⑧

1° 2°
 3° 4°

Side guards ⑨

Aluminium straight Aluminium with carbon fibre wing - detachable
 Aluminium with carbon fibre wing

Brakes ⑩

Standard Scissor

Revolving anti-tip device ⑪

Right
 Left

Notes

