

Order N° _____ Quotation
 Date _____ Signature _____
 Customer Ref. _____ User's weight Kg _____

Dealer

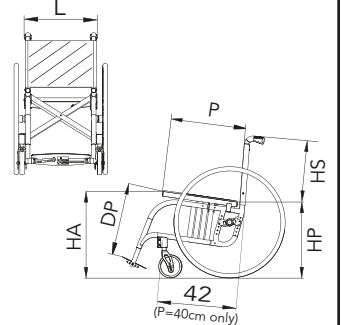
Key standard option

L Seat width	<input type="checkbox"/> 34 <input type="checkbox"/> 36 <input type="checkbox"/> 38 <input type="checkbox"/> 40 <input type="checkbox"/> 42 <input type="checkbox"/> 44 <input type="checkbox"/> 46
P Seat depth	<input type="checkbox"/> 34 <input type="checkbox"/> 36 <input type="checkbox"/> 38 <input checked="" type="checkbox"/> 40 <input type="checkbox"/> 42 <input type="checkbox"/> 44 <input type="checkbox"/> 46
HS Back-rest height	<input type="checkbox"/> 29 <input type="checkbox"/> 31 <input type="checkbox"/> 33 <input type="checkbox"/> 35 <input type="checkbox"/> 37 <input type="checkbox"/> 39 <input type="checkbox"/> 41
HA Front seat/floor height	<input type="checkbox"/> 42 <input type="checkbox"/> 43 <input type="checkbox"/> 44 <input type="checkbox"/> 46 <input type="checkbox"/> 48 <input checked="" type="checkbox"/> 50
HP Rear seat/floor height	<input type="checkbox"/> 38 <input type="checkbox"/> 40 <input type="checkbox"/> 42 <input checked="" type="checkbox"/> 44 <input type="checkbox"/> 46
DP Foot-rest/seat distance	<input type="checkbox"/> 33 <input type="checkbox"/> 35 <input type="checkbox"/> 37 <input type="checkbox"/> 39 <input type="checkbox"/> 41 <input type="checkbox"/> 43 <input type="checkbox"/> 45 <input type="checkbox"/> 47

cm

ALHENA

Titanium folding frame



Frame colour

Shiny titanium Matte black
 Pearl white Natural titanium
 Neon green Neon orange
from:
 (see "Colours" catalogue)

Backrest upholstery

Tension adjustable nylon back-rest
 Tens.adjustable breathable backrest
 Without any backrest upholstery
 FAMEKH custom postural backrest
(fill up the proper order form)

Upholstery colour

Black
 Coloured.....
 Available colours:
 NYLON: orange, red, green, cornflower blue, light blue;
 BREATHABLE: red, grey.

Not detachable foot-rest ④
 (with DP=43 cm and P=40 cm)
 (standard)

Not detachable foot-rest
 (with DP=43 cm and P=40 cm)

Detachable foot-rest

84° (std)
 76°

(approx.measurements)

Front Frame ⑤

STANDARD

Y
(only in case of not detachable foot-rest)

V
(only in case of not detachable foot-rest & without any automatic closure footplate)

Separate aluminium profile tilt adjustable footplates ⑧

forward backward

Foot-holding belts

Closed carbon single footplate ⑥

Foot-holding belts

Single aluminium profile tilt adjustable footplate ⑨

forward backward

up & outward

Foot-holding belts

Automatic closure footplate in carbon ⑦

Foot-holding belts

Titanium tube structure ⑩

open
 closed by carbon plate

Forward Backward
(default)

Side-guards ⑩

Aluminium with carbon fibre wing

Plastic

Curved aluminium (same colour or black)

Straight aluminium (same colour or black)

Tip-up, detachable sport armrest h. 22 cm ⑪
(open with sideguards)

Elbow-rest

Tubular
 Classic (23 cm long)

Tip-up height adjustable from 22 to 28 cm "L" armrest ⑫
(detachable, open with sideguards)

Not detachable

Elbow-rest

Tubular
 Straight (26 cm long)
 Classic (23 cm long)
 Classic (30 cm long)

Rear wheel ⑬

24" Ultralight (24 spokes) black
 24" Light (24 spokes)
 24" Star 6x3 (18 sps) silver or black
 24" (36 spokes)
 24" Mountain-bike CITYBIKE tyre
 24" Mountain-bike OFFROAD tyre
 24" Spinergy LX
 Spokes colour.....(black def.)
 25" Spinergy LX
 Spokes colour.....(black def.)
 25" Light (24 spokes) black

Tyre

Pneumatic Marathon Plus
 Pneum. high press.plugged 24"
 Pneum. high press. smooth
 Solid black KIK 24"
(not available with Ultralight)

Pushrim ⑭

Aluminium silver
 Aluminium dark
 OVAAL alum. silver 24"
 OVAAL alum. dark 24"
 OVAALG(dark w/silicon ins.)24"
 Chromium-plated steel 24"
 Rubber coated
 Titanium
 Carbolife CURVE L24"
 CL Curve L TetraGrip 24"
 CL Quadro rubber ctd 24"
 Carbolife GEKKO 24"
 Silicon covers

OVAAL/S/G only in size 24"
 Only OVAAL/GEKKO available for Star6x3
 OVAAL & Carbolife not available for MTB

