

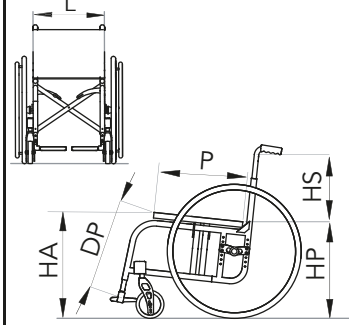
Order N° _____ Quotation
 Date _____ Signature _____
 Customer Ref. _____

Dealer

Key standard option

DIVA

Alum. foldable frame



L Seat width	<input type="checkbox"/> 34 <input type="checkbox"/> 36 <input type="checkbox"/> 38 <input type="checkbox"/> 40 <input type="checkbox"/> 42 <input type="checkbox"/> 44** <input type="checkbox"/> 46** <input type="radio"/> 48** <input type="checkbox"/> 50** (** included compulsory double crossbar)
P Seat depth	<input type="checkbox"/> 34 <input type="checkbox"/> 36 <input type="checkbox"/> 38 <input type="checkbox"/> 40 <input type="checkbox"/> 42 <input type="checkbox"/> 44 <input type="radio"/> 46 <input type="radio"/> 48** <input type="radio"/> 50** (** included compulsory double crossbar)
HS Back-rest height	<input type="checkbox"/> 29 <input type="checkbox"/> 31 <input type="checkbox"/> 33 <input type="checkbox"/> 35 <input type="checkbox"/> 37 <input type="checkbox"/> 39 <input type="checkbox"/> 41 <input type="radio"/> 43 <input type="radio"/> 45 <input type="radio"/> 47 <input type="radio"/> 49 (included stretched bar)
HA Front seat/floor height	<input type="checkbox"/> 42 <input type="checkbox"/> 43 <input type="checkbox"/> 44 <input type="checkbox"/> 46 <input type="checkbox"/> 48 <input type="checkbox"/> 50 <input type="checkbox"/> 52 <input type="radio"/> 54
HP Rear seat/floor height	<input type="checkbox"/> 38 <input type="checkbox"/> 40 <input type="checkbox"/> 42 <input type="checkbox"/> 44 <input type="checkbox"/> 46 <input type="checkbox"/> 48 <input type="checkbox"/> 50
DP Foot-rest/seat distance	<input type="checkbox"/> 33 <input type="checkbox"/> 35 <input type="checkbox"/> 37 <input type="checkbox"/> 39 <input type="checkbox"/> 41 <input type="checkbox"/> 43 <input type="checkbox"/> 45 <input type="checkbox"/> 47 <input type="checkbox"/> 49 <input type="checkbox"/> 51 cm

Frame colour ①

Glossy black Pearl red Matte black
 Pearl white Metallic blue Metallic grey
 (see "Colours" catalogue)
 Neon orange Neon green

Backrest upholstery ②

Tension adjustable nylon back-rest
 Tens.adjustable breathable backrest
 Without any backrest upholstery
 AMEKH custom postural backrest (fill up the proper order form)

Upholstery colour ③ (nylon only)

Black
 Red Orange
 Light blue Green
 Cornflower blue

Not Detachable foot-rest ④ (with DP=43 cm and P=40 cm) (standard)

Plastic separate ⑤ (only DP > 35 cm and L = from 38 to 46 cm)

Foot-holding belts
 Heel stops

Separate aluminium profile tilt adjustable footplates: ⑥

forward backward

Foot-holding belts

Single aluminium profile tilt adjustable footplate: ⑦ (not available with detachable foot-rest)

forward

Not detachable foot-rest (with DP=43 cm and P=40 cm)

Single closed in carbon fibre ⑧

Foot-holding belts
 Heel stops

Automatic closure footplate in carbon ⑨ (Not available with detachable or elevating foot-rest NB: for a seat width of 46cm maximum)

Foot-holding belts

backward

Up & outward

Foot-holding belts

Detachable foot-rest:

Elevating foot-rest (detachable)

Side-guards ⑩

Plastic

Aluminium (same colour)

Carbon fibre

Tip-up detachable Desk armrest h 22 cm ⑪ (open with sideguards)

27 cm high from the seat

Elbow-rest

Classic (23 cm long)
 Straight (26 cm long)
 Tubular
 Hemiplegic RX
 Hemiplegic LX

note: see also Hemi modular armrest ord.form

Tip-up height adjustable from 22 to 28 cm "L" armrest ⑫ (detachable, open with sideguards)

Not detachable

Elbow-rest

Tubular
 Straight (26 cm long)
 Classic (23 cm long)
 Classic (30 cm long)

Tip-up detachable Sport armrest h 22 cm ⑬ (open with sideguards)

Elbow-rest

Straight (26 cm long)
 Classic (23 cm long)
 Tubular
 Hemiplegic RX
 Hemiplegic LX

note: see also Hemi mod.armrest ord.form

Height adjustable tip-up armrest ⑭ (only closed) (minimum height 26cm) (minimum depth P36cm)

Desk model

Sport model

"U" model

Elbow-rest

Classic (30 cm long)
 Straight (26 cm long)
 Classic (36 cm long)
 Hemiplegic RX
 Hemiplegic LX

note: see also Hemi modular armrest ord.form

Dealer

Rear wheels (15)

24" (36 spokes) 24" Star 6x3(18sp.)
 22" (36 spokes) 24" Light (24 spokes)
 20" (36 spokes)
 24" Mountain-bike with Citybike tyre
 24" Mountain-bike with Offroad tyre
 24" Ultralight (24 spks) black
 24" Spinerigy LX

Tyres

Pneumatic Marathon Plus
 Plugged Smooth Pneum. high press.
 Solid grey 20"/22" (x 1")
 Solid black KIK 24"

Pushrims (16)

Aluminium silver
 Aluminium dark
 Chromium-plated steel 24"
 Rubber coated
 Carbolife CURVE L 24"(*)
 OVAAL silver alum. (*)
 OVAALS dark alum. (*)
 OVAALG dark w/sil. insert (*)
 Carbolife GEKKO 24" (*)
 Silicon covers 24"
 (*) not available with MTB wheels

Spoke covers (17)

Transparent 24"
 Black 24"
 Fantasy

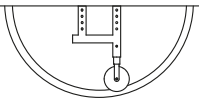
code pattern

(see catalogue of spokeguards)

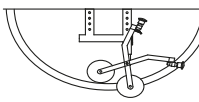
Front castors (18)

100 (4"x1.1/4) solid with plastic rim
 100 (4"x1) solid with lights
 100 (4"x1.1/4) solid with alum. rim
 125 (5"x1.1/4) solid with plastic rim
 125 (5"x1.1/4) solid with alum. rim
 125 (5"x1) solid with lights
 150 (6") pneumatic
 150 (6") solid
 175 (7") solid
 175 (7") pneumatic

STRAIGHT rear frame with small wheels for narrow passages (default)



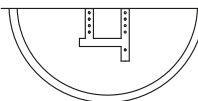
STRAIGHT rear frame with LEVER-activated narrow passage wheels



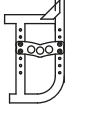
(Compulsory: rear seat/floor height HP= from 44 to 48 cm)

Rear frame (19)

STRAIGHT rear frame WITHOUT any small wheels f/narrow passages



Curved rear frame



(It is not possible to assemble the small wheels for narrow passages)

Unbalancing system (20)

Right Right
 Left Left


(Only for curved rear frame)

Anti-tip device

Right
 Left

Single drive (21)

Right
 Left



(only with 0° camber)


Rear wheel camber

0° 1° 2° 3°

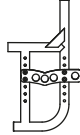
Q.rel.axles Ø12mm w/42mm bushes (def.)
 Q.rel.a. Ø1/2" (12,7mm) w/42mm bushes
 Q.rel.a. Ø1/2" (12,7mm) w/50mm bushes

Revolving anti-tip device (Only with curved rear frame)

Right
 Left


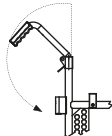


Extended wheel plate (22)




Push handles (23)

Standard Hinged back-rest (no stretched bar)

Height adjustable

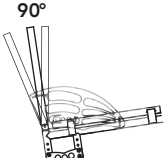


Backrest (24)

Fixed

Tilt adjustable:

-4°
 -2°
 0 (90°)
 2°
 4°
 6°



Distance between the hub centre and the backrest (25)

2,5 cm
 5 cm (std)
 7,5 cm

(with HP=44 cm)

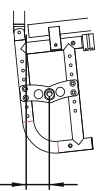



Table (26)

Transparent
 Rx Lx Hemiplegic transparent
 Plastic grey
 Soft padded

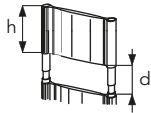
specify the fastening:
 single double



(Only with arm-rests)

Head-rest (27)


Padded



Fixed
 Height adjustable

Lined cushion (28)

in foam polyurethane



3 cm high
 5 cm high

Brakes (To be valued on the base of the total configuration) (29)


Classic - short handle
 Classic - pull to brake short handle
 Classic - long handle
 Scissor
 Right single drive
 Left single drive
 Drum
 Drum +classic

Options


39 Abductor belt
 40 Catheter holder pocket
 41 Stretched bar
 42 Rx Lx Crutch holder
 43 Rx Lx Double Crutch holder
 44 Pump for pneumatics
 45 Suitcase holder
 46 45° pelvic belt
 47 45° padded pelvic belt
 48 Black backpack
 49 Front protective covers
 50 Double cross bar
 51 Abductor
 h from the seat
 52 Fittings for car fastening € 190,00

Orbital

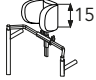
Anatomic



Moulded



With lateral supports



Specify "h" & "d" where requested
 Standard: h = 20 cm d = 15 cm
 h = cm d = cm

Anodized set (30)

(Rear wheel rims and hubs, forks)

Black
 Silver
 Light blue
 Red
 Orange
 Cyclamen light purple

(Only Light wheels)

Options

31 "M+F" velcro on seat
 32 "M" velcro strip (hook) on seat
 33 "F" velcro strip (loop) on seat
 34 Seat/backrest connection flap
 35 Padded rigid cushion h 5
 36 Chest harness
 37 Chest belt
 38 Lateral supports RX OLX
 Swing Away h.....

Note

