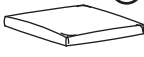
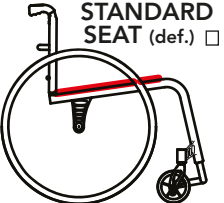



Dealer _____

<p>Rear wheels (16)</p> <p><input type="checkbox"/> 24" Ultralight (24 spokes)</p> <p><input type="checkbox"/> 24" Light (24 spokes)</p> <p><input type="checkbox"/> 24" Star 6x3 (18 spokes, silver or black)</p> <p><input type="checkbox"/> 24" (36 spokes)</p> <p><input type="checkbox"/> 24" Mountain-bike with Citybike tyre</p> <p><input type="checkbox"/> 24" Mountain-bike with Offroad tyre</p> <p><input type="radio"/> 24" Spinergy LX spokes colour.....(black def.)</p> <p><input type="radio"/> 25" Spinergy LX spokes colour.....(black def.)</p> <p><input type="radio"/> 25" Light (24 spokes) black</p> <p>Tyres</p> <p><input type="checkbox"/> Pneum. Marathon Plus</p> <p><input type="checkbox"/> Pneum. high pressure Smooth</p> <p><input type="checkbox"/> Pneum. high pressure Plugged 24"</p> <p><input type="checkbox"/> Pn.Schwalbe Right Run 24"</p> <p><input type="checkbox"/> Solid black KIK 24" not available for Ultralight wheels</p>	<p>Pushrims (17)</p> <p><input type="checkbox"/> Aluminium silver</p> <p><input type="checkbox"/> Aluminium dark</p> <p><input type="radio"/> OVAAL alum. silver 24"</p> <p><input type="radio"/> OVAAL alum. dark 24"</p> <p><input type="radio"/> OVAALG(dark w/silicon ins.)24"</p> <p><input type="radio"/> Chromium-plated steel 24"</p> <p><input type="radio"/> Rubber coated</p> <p><input type="radio"/> Titanium</p> <p><input type="radio"/> Carbolife CURVE L24"</p> <p><input type="radio"/> CL Curve L TetraGrip 24"</p> <p><input type="radio"/> CL Quadro rubber ctd 24"</p> <p><input type="radio"/> Carbolife GEKKO 24"</p> <p><input type="radio"/> Silicon covers</p> <p><small>OVAAL/S/G only in size 24" Only OVAAL/GEKKO available for Star6x3 OVAAL & Carbolife not available for MTB</small></p>	<p>Spokeguards (18)</p> <p><input type="radio"/> Transparent 24"</p> <p><input type="radio"/> Black 24"</p> <p><input type="radio"/> Fantasy</p> <p>code pattern</p> <p>(see catalogue of spokeguards)</p> <p>Anodized set (20) (Rear wheel hub & rims if LIGHT 24", sideguard supports, forks and fittings)</p> <p><input type="checkbox"/> Black (only 24" Light wheels)</p> <p><input type="checkbox"/> Silver</p> <p><input type="radio"/> Light blue</p> <p><input type="radio"/> Red</p> <p><input type="radio"/> Orange</p> <p><input type="radio"/> Cyclamen light purple</p>	<p>Castor wheels (19)</p> <p><input type="checkbox"/> 80 (3") solid</p> <p><input type="radio"/> 80 (3") solid with lights</p> <p><input type="checkbox"/> 100 (4"x1.1/4) solid with plastic rim</p> <p><input type="radio"/> 100 (4"x1) solid with lights</p> <p><input type="checkbox"/> 100 (4"x1.1/4) solid with alum. rim</p> <p><input type="checkbox"/> 125 (5"x1.1/4) solid with plastic rim</p> <p><input type="checkbox"/> 125 (5"x1.1/4) solid with alum. rim</p> <p><input type="radio"/> 125 (5"x1) solid with lights</p> <p>Lined cushion (21) in foam polyurethan </p> <p><input type="radio"/> 3 cm high</p> <p><input type="radio"/> 5 cm high</p>
---	--	---	--

STANDARD SEAT (def.) 

ERGO SEAT 

(carbon fibre rigid seat only suitable for standard seat)

Options

26 "M+F" velcro strips (hook and loop) on seat

27 "M" velcro strips (hook) on seat

28 "F" velcro strips (loop) on seat

29 Padded rigid cushion h 5

30 Chest harness

31 Chest belt

32 Abductor belt

33 Catheter holder pocket

34 Rx Lx Crutch holder

35 Pump for pneumatics

36 Suitcase holder

37 45° pelvic belt

38 45° padded pelvic belt

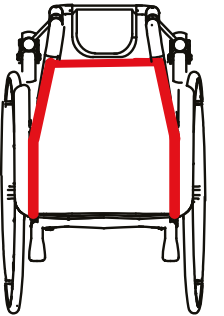
39 Black backpack

41 Front protective covers

7,5 kg configuration (FIX)
7,8 kg configuration (ADJ)

- Wheelchair 38x40x31 cm
- Nylon upholstery
- Titanium frame colour: Shiny Titanium
- Open foot-rest
- Without pushing handles
- Aluminium side guards with carbon fibre wing
- Scissor brakes
- Ultralight wheels
- Smooth high press. pneum. tyres
- Ultralight pushrim
- 80 mm front castors
- Without pockets
- Max load: 100 kg

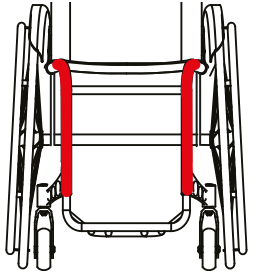
TAPERED SEAT (L-12cm) (23)



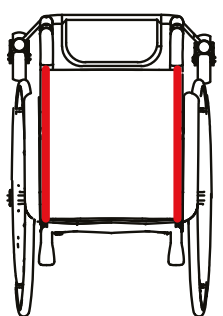
(Tapered seat is possible only if the seat width is not lower than 36cm)

Custom front opening (i.e. custom TAPERED seat)cm

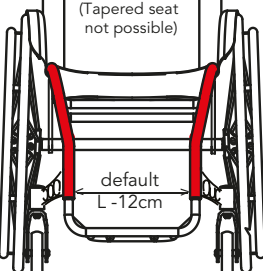
Tapered seat requires straight front frame:



STRAIGHT SEAT (def.) (24)



Y SHAPED FRONT FRAME (default)



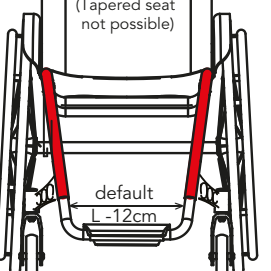
(Tapered seat not possible)

default L-12cm

Custom Y/V front openingcm

Reinforced frame (max load 100-120 Kg)

V SHAPED FRONT FRAME

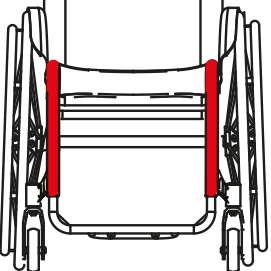


(Tapered seat not possible)

default L-12cm

(The tilt adjustable footplate only is suitable with the V shaped front frame)

STRAIGHT FRONT FRAME (25)



(Compulsory if seat width is 34cm or if the seat is tapered)

Notes _____