

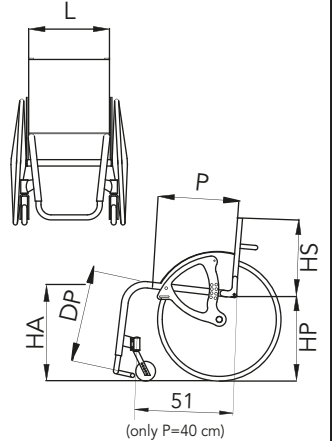
Dealer _____

Key standard option

L Seat width	<input type="checkbox"/> 34 <input type="checkbox"/> 36 <input type="checkbox"/> 38 <input type="checkbox"/> 40 <input type="checkbox"/> 42 <input type="checkbox"/> 44
P Seat depth	<input type="checkbox"/> 36 <input type="checkbox"/> 38 <input type="checkbox"/> 40 <input type="checkbox"/> 42 <input type="checkbox"/> 44
HS Back-rest height	<input type="checkbox"/> 27 <input type="checkbox"/> 29 <input type="checkbox"/> 31 <input type="checkbox"/> 33 <input type="checkbox"/> 35 <input type="checkbox"/> 37 <input type="checkbox"/> 39
HA Front seat/floor height	<input type="checkbox"/> 46 <input type="checkbox"/> 48 <input type="checkbox"/> 50
HP Rear seat/floor height	<input type="checkbox"/> 40 <input type="checkbox"/> 42 <input type="checkbox"/> 44 <input type="checkbox"/> 46
DP Foot-rest/seat distance	<input type="checkbox"/> 35 <input type="checkbox"/> 37 <input type="checkbox"/> 39 <input type="checkbox"/> 41 <input type="checkbox"/> 43 <input type="checkbox"/> 45 <input type="checkbox"/> 47 <input type="checkbox"/> 49 cm

FENICE

Aluminium rigid frame



Colore telaio ①

Metallic grey Pearl white
 Glossy black Matte black
 (see "Colours" catalogue) from:
 Neon green Neon orange

Upholstery ②

Tension adjustable nylon backrest
 Tension adj. breathable backrest
 Without any backrest upholstery
 SAMEKH (separate order form)
 other seating system:.....

Single tubular foot-plate & Front frame ③

(**) height adjustable only with Y shaped or straight front frame

Open (**)
 Carbon fibre closed (**)
 Tilt adjustable carbon fibre closed (with with Y or V shaped front frame)
 Standard footrest colour: same as frame colour

Y Straight front frame
 V

Pushing handles ④

Without any pushing handles Standard pushing handles Height adj. pushing handles Foldable pushing handles

Distance between the hub centre and back-rest ⑤

7 cm 13 cm
 9 cm (standard) 15 cm
 11 cm

Back-rest tilt ⑥

89°
 91° (standard)
 93°

Front opening angle ⑦

90° (standard) (A = 16 cm)
 95° (A = 22 cm)
(approximate standard measures)

Rear wheel camber ⑧

1° 2° 3° 4°

Quick release axles Ø12mm with 42 cambered bushes (default)
 Q.r.a. Ø 1/2" (12,7 mm) w/42 camb.bushes
 Q.r.a. Ø 1/2" (12,7 mm) w/50 camb.bushes

Side guards ⑨

Carbon fibre Plastic

"L" arm-rest, detachable, h 22cm ⑩

Elbow-rest

Tubular
 Straight (26 cm long)
 Classic (23 cm long)
 Classic (30 cm long)

Brakes ⑪

Standard
 Composite
 Scissor brakes

Revolving anti tip device ⑫

Right
 Left

Notes

