

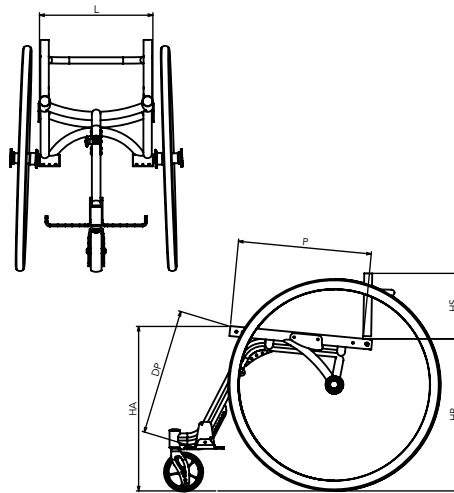
Dealer

Key standard option

FIXED

Titanium rigid / hinged frame

- L** Seat width 34 36 38 40 42 44
P Seat depth 36 38 40 42 44 46
HS Back-rest height range 27/31 range 31/37
HA Front seat/floor height 46 48 50 52
HP Rear seat/floor height 40 42 44 46 48
DP Foot-rest/seat distance 37 39 41 43 45 47 49 cm



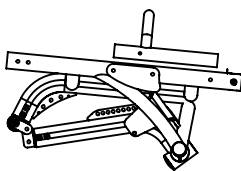
Frame colour

- Shiny titanium Glossy black
 Pearl white Matte black
 Natural titanium
 (see "Colours" catalogue)
 Neon green Neon orange

①

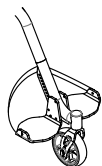
HINGED FRAME

②



- Carbon fibre footplates with heel stops (std)

- With coloured edges (on the heel stops, ev. edges of the straight sideguards) (available colours: red, green, light blue, cornflower blue, orange)(colour)



③

Uphostery

- Rigid carbon fibre seat (def.)

- SAMEKH backrest (def.)

- with shell in aluminium (matt black)
 with shell in carbon fibre

④

Push handles

- Without any pushing handles
 Standard FIXED
 Folding pushing handles

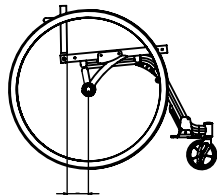
⑤

Rear wheel camber

- 1° 2° 3° 4°
 Quick release axles Ø12mm with 42 cambered bushes (default)
 Q.r.a. Ø 1/2" (12,7 mm) w/42 camb.bushes
 Q.r.a. Ø 1/2" (12,7 mm) w/50 camb.bushes

⑥

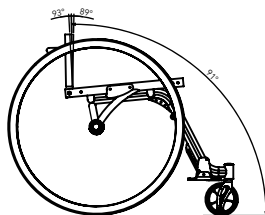
Distance between the hub and the backrest



- 9 cm (standard) 7 cm
 3 cm 11 cm
 5 cm 13 cm

⑦

Adjustable backrest tilt



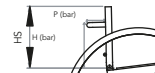
- 89°
 91° (standard)
 93°

⑧

Backrest bar

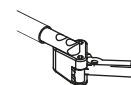
- Standard:
 P(bar) 7,5cm;
 H(bar) 19cm;
 dia 19mm.

- Custom:
 P.....cm;
 H.....cm.



⑨

Brakes



- Composite

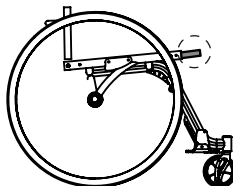
⑩

Side-guards

- Detachable with carbon fibre wing
 Detachable straight carbon fibre

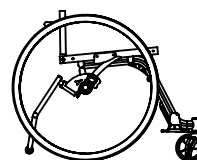
⑪

Endings to contain the legs right & left



⑫

Anti-tip device



- Right
 Left

⑬

Notes

Dealer _____

Rear wheels (14)

25" Light
 25" Spinergy LX
 Spinergy spoke colour.....Black (std)

26" Fixed black (16 spokes)
 26" Spinergy LX
 Spinergy spoke colour.....Black (std)

28" Fixed black (16 spokes)
 28" Spinergy SLX
 Spinergy spoke colour.....Black (std)

28" comp.FAT

Coperture

Pneum. Marathon Plus black 25"/26"
 Pneum. Kenda (grey) 25"/26"/28"
 Coloured pneum. 28"

<input type="checkbox"/> red	<input type="checkbox"/> brown
<input type="checkbox"/> lime green	<input type="checkbox"/> white
<input type="checkbox"/> blue	<input type="checkbox"/> purple
<input type="checkbox"/> orange	<input type="checkbox"/> pink
<input type="checkbox"/> yellow	

Pushrims (15)

Dark aluminium 25"/26"/28"
 Titanium 25"/26"/28"

Spokeguards (16)

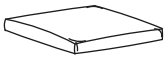
Transparent 26"/28"
 Fantasy 25"/26"/28"
 code pattern

(see catalogue of spokeguards)

Front castors (with quick release axle) (17)

100 (4"x1.1/4) solid with plastic rim
 100 (4"x1) solid with lights
 100 (4"x1.1/4) solid with alum. rim
 125 (5"x1.1/4) solid with plastic rim
 125 (5"x1.1/4) solid with alum. rim
 125 (5"x1) solid with lights

Lined cushion in foam polyurethane (18)



3 cm high
 5 cm high

Anodized set (19)
 (Fork and eventual Easyfixed fork, caps)

Black
 Silver
 Light blue
 Red
 Orange
 Cyclamen light purple

(only 25" Light wheels)

Options

21 Coloured pump for pneumatics
(colour)

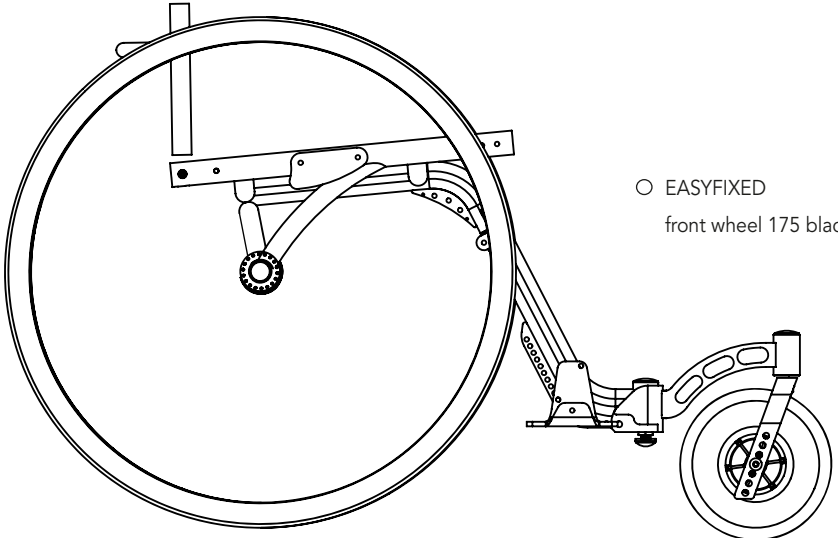
22 Blade for ice or snow

23 "M+F" velcro strips (hook and loop) on seat

24 "M" velcro strips (hook) on seat

25 "F" velcro strips (loop) on seat

(20)



EASYFIXED
 front wheel 175 black colour with quick release axle