

Order N° _____ Quotation
 Date _____ Signature _____
 Customer Ref. _____ User's weight Kg _____

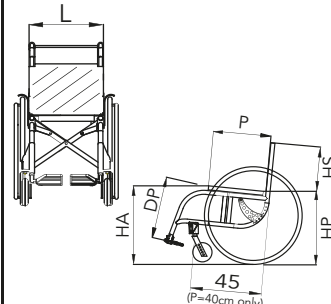
PAG. 1/2
 May 2024

Dealer

Key standard option

L Seat width	<input type="checkbox"/> 34 <input type="checkbox"/> 36 <input type="checkbox"/> 38 <input type="checkbox"/> 40 <input type="checkbox"/> 42 <input type="checkbox"/> 44	
P Seat depth	<input type="checkbox"/> 36 <input type="checkbox"/> 38 <input checked="" type="checkbox"/> 40 <input type="checkbox"/> 42 <input type="checkbox"/> 44	
HS Back-rest height	<input type="checkbox"/> 29 <input type="checkbox"/> 31 <input type="checkbox"/> 33 <input type="checkbox"/> 35 <input type="checkbox"/> 37 <input type="checkbox"/> 39 <input type="checkbox"/> 41	
HA Front seat/floor height	<input type="checkbox"/> 46 <input type="checkbox"/> 48 <input checked="" type="checkbox"/> 50	
HP Rear seat/floor height	<input type="checkbox"/> 40 <input type="checkbox"/> 42 <input checked="" type="checkbox"/> 44 <input type="checkbox"/> 46	
DP Foot-rest/seat distance	<input type="checkbox"/> 35 <input type="checkbox"/> 37 <input type="checkbox"/> 39 <input type="checkbox"/> 41 <input type="checkbox"/> 43 <input type="checkbox"/> 45 <input type="checkbox"/> 47	cm

HALLEY
 Alum. foldable frame



<p>Frame colour</p> <p><input type="checkbox"/> Glossy black <input type="checkbox"/> Pearl red <input type="checkbox"/> Matte black <input type="checkbox"/> Pearl white <input type="checkbox"/> Metallic blue <input type="checkbox"/> Metallic grey <input type="checkbox"/>(see "Colours" catalogue) from: <input type="checkbox"/> Neon orange <input type="checkbox"/> Neon green</p>	<p>Upholstery</p> <p><input type="checkbox"/> Tension adjustable nylon back-rest <input type="checkbox"/> Tens.adjustable breathable backrest <input type="checkbox"/> Without any backrest upholstery <input checked="" type="checkbox"/> AMEKH custom postural backrest <small>(fill up the proper order form)</small></p>	<p>Upholstery colour <small>(nylon only)</small></p> <p><input type="checkbox"/> Black <input type="checkbox"/> Red <input type="checkbox"/> Orange <input type="checkbox"/> Light blue <input type="checkbox"/> Green <input type="checkbox"/> Cornflower blue</p>
---	--	--

Not detachable foot-rest ④
(with DP=43 cm and P=40 cm)
 (standard)

Closed carbon single foot-plate ⑥

Foot-holding belts

Automatic closure foot-plate in carbon ⑦

Foot-holding belts

Not detachable foot-rest
(with DP=43 cm and P=40 cm)

Detachable foot-rest

Separate aluminium profile tilt adjustable foot-plates ⑧

forward backward

Foot-holding belts

Single aluminium profile tilt adjustable foot-plate ⑨

forward backward

up & outward

Foot-holding belts

Side guards ⑩

Carbon fibre

Aluminium

Detachable sport arm-rest h. 22 cm ⑪
(open with sideguards)

Tip-up

Elbow-rest

Tubular
 Classic (23 cm long)
 Classic (30 cm long)

Tip-up height adjustable from 22 to 28 cm "L" arm-rest ⑫
(open with sideguards)

Elbow-rest

Tubular
 Straight (26 cm long)
 Classic (23 cm long)
 Classic (30 cm long)

Rear wheels ⑬

24" Star 6x3 (18 spokes)
 24" (36 spokes)
 24" Light(24 spokes)
 24" MTB with Citybike tyre
 24" MTB with Offroad tyre
 24" Spinergy LX
 24" Ultralight(24 spks)

Tyres

Pneumatic Marathon Plus
 Pneum. high press. plugged
 Pneum. high press. smooth
 Solid black KIK 24"
(not avail. with Ultralight)

Pushrims ⑭

Aluminium silver
 Aluminium dark
 OVAAL alum. silver 24"
 OVAAL alum. dark 24"
 OVAALG(dark w/silicon ins.)24"
 Chromium-plated steel 24"
 Rubber coated
 Titanium
 Carbolife CURVE L24"
 CL Curve L TetraGrip 24"
 CL Quadro rubber ctd 24"
 Carbolife GEKKO 24"
 Silicon covers

OVAAL/S/G only in size 24"
 Only OVAAL/GEKKO available for Star6x3
 OVAAL & Carbolife not available for MTB

