

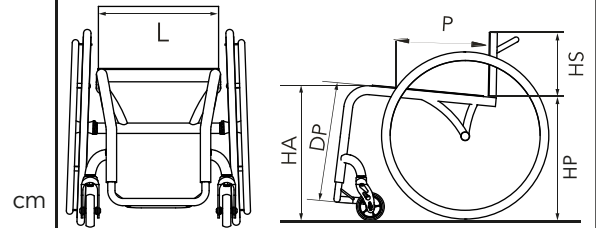
Dealer

Key standard option

L Seat width	<input type="checkbox"/> 34 <input type="checkbox"/> 35 <input type="checkbox"/> 36 <input type="checkbox"/> 37 <input type="checkbox"/> 38 <input type="checkbox"/> 39 <input type="checkbox"/> 40 <input type="checkbox"/> 41 <input type="checkbox"/> 42 <input type="checkbox"/> 43 <input type="checkbox"/> 44 <input type="checkbox"/> 45 <input type="checkbox"/> 46 <input type="checkbox"/> 47 <input type="checkbox"/> 48
P Seat depth	<input type="checkbox"/> 34 <input type="checkbox"/> 36 <input type="checkbox"/> 38 <input type="checkbox"/> 40 <input type="checkbox"/> 42 <input type="checkbox"/> 44 <input type="checkbox"/> 46 <input type="checkbox"/> 48 <input type="checkbox"/> 50
HS Back-rest height	<input type="checkbox"/> 27 <input type="checkbox"/> 29 <input type="checkbox"/> 31 <input type="checkbox"/> 33 <input type="checkbox"/> 35 <input type="checkbox"/> 37 <input type="checkbox"/> 39
HA Front seat/floor height	<input type="checkbox"/> 40 <input type="checkbox"/> 41 <input type="checkbox"/> 42 <input type="checkbox"/> 43 <input type="checkbox"/> 44 <input type="checkbox"/> 45 <input type="checkbox"/> 46 <input type="checkbox"/> 47 <input type="checkbox"/> 48 <input type="checkbox"/> 49 <input type="checkbox"/> 50 <input type="checkbox"/> 51 <input type="checkbox"/> 52
HP Rear seat/floor height	<input type="checkbox"/> 37 <input type="checkbox"/> 38 <input type="checkbox"/> 39 <input type="checkbox"/> 40 <input type="checkbox"/> 41 <input type="checkbox"/> 42 <input type="checkbox"/> 43 <input type="checkbox"/> 44 <input type="checkbox"/> 45 <input type="checkbox"/> 46 <input type="checkbox"/> 47 <input type="checkbox"/> 48 <input type="checkbox"/> 49 <input type="checkbox"/> 50
DP Foot-rest/seat distance	<input type="checkbox"/> 35 <input type="checkbox"/> 36 <input type="checkbox"/> 37 <input type="checkbox"/> 38 <input type="checkbox"/> 39 <input type="checkbox"/> 40 <input type="checkbox"/> 41 <input type="checkbox"/> 42 <input type="checkbox"/> 43 <input type="checkbox"/> 44 <input type="checkbox"/> 45 <input type="checkbox"/> 46 <input type="checkbox"/> 47

HEKA

Ergonomic Titanium custom rig.frame



- Frame colour** (including forks if varnished) ①
- | | |
|--|--|
| <input type="checkbox"/> Natural titanium | <input type="checkbox"/> Shiny titanium |
| <input type="checkbox"/> Matte black | <input type="checkbox"/> Glossy black |
| <input type="checkbox"/> Matte purple | <input type="checkbox"/> Metallic blue |
| <input type="checkbox"/> Matte London smoke | <input type="checkbox"/> Metallic grey |
| <input type="checkbox"/> Tiffany | <input type="checkbox"/> Champagne |
| <input type="checkbox"/> Matte green | <input type="checkbox"/> Pearl white |
- Colour (see "Colour catalogue") (excluded comouflage, neon, RAL, changing col.)
 Neon colour starting from:
 RAL/Changing col./Camouflage.....shiny or matte, from:

- Backrest: Upholstery** ②
- Tension adjustable nylon
 Coloured (nylon)..... colours: orange, red, green, cornflower, light blue
 Breathable tension adjustable
 Coloured (breath.colours: red, grey).....
 Without any backrest upholstery
- Seat:** ②
- Fix (stand.)
 Rigid in carbon fibre
- FAMEKH** (separate order form)
 other seating system

- Tubular single titanium footplate** ③
-
- Open available only if the front frame is **straight** or **Y shaped**
 CRB closed
 Tilt adjust. CRB

- Pushing handles** ④
-
- Without any pushing handles
 Fixed pushing handles
 Foldable pushing handles
 Height adjustable pushing handles

- Distance between the hub centre and back-rest COG** ⑤ (range from 0cm to 15cm max)
-
- cm 0
 cm.....
 cm 15

- Front frame angle** ⑥
-
- 83° (default)**
 A = 16 cm, with DP 41 cm
 75° A = 19 cm, with DP 41 cm

- Rear wheel camber** ⑦
- 1° 2° 3° 4°
- Quick release axles Ø12mm with 42 cambered bushes** (default)
 Quick release axles Ø 1/2" (12,7 mm) with 42 mm cambered bushes
 Quick release axles Ø 1/2" (12,7 mm) with 50mm cambered bushes

- Carbon fiber side-guards with foldable backrest:** ⑧
- fix with CRB wing (def.)
 fix with straight CRB
 detachable with CRB wing
 detachable with straight CRB
-
- Carbon fiber side-guards with welded backrest:**
- fix with CRB wing (def.)
 fix with straight CRB
-

- Backrest tilt** ⑨
-
- 89°
 91° (default)
 93°
- Foldable and tilt adjustable backrest (side-guards can be fix or removable)
 Welded, fix backrest (side-guards can be only fix)

- Revolving anti-tip device** ⑩
-
- Right
 Left

- Brakes** ⑪
- composite
 Scissor
 standard
-

Notes

Dealer _____

Rear wheels ⑫

- 24" Ultralight (24 spokes)
- 24" Light (24 spks) ** see section 15 f/colours
- 24" Star 6x3 (18 spokes, silver or black)
- 24" (36 spokes)
- 24" Mountain-bike with Citybike tyre
- 24" Mountain-bike with Offroad tyre
- 24" Spinergy LX
spokes colour.....(black def.)
- 25" Spinergy LX
spokes colour.....(black def.)
- 25" Light (24 spokes) black

Tyres

- Pneum. Marathon Plus
- Pneum. high pressure Smooth
- Pneum. high pressure Plugged 24"
- Pn.Schwalbe Right Run 24"
- Solid black KIK 24"
not available for Ultralight wheels

Pushrims ⑬

- Aluminium silver
- Aluminium dark
- OVAAL alum. silver 24"
- OVAAL alum. dark 24"
- OVAALG(dark w/silicon ins.)24"
- Rubber coated
- Titanium
- Carbolife CURVE L24"
- CL Curve L TetraGrip 24"
- CL Quadro rubber ctd 24"
- Carbolife GEKKO 24"
- Silicon covers

OVAAL/S/G only in size 24"
 Only OVAAL/GEKKO available for Star6x3
 OVAAL & Carbolife not available for MTB

Spokeguards ⑭

- Transparent 24"
- Black 24"
- Fantasy

code pattern

(see catalogue of spokeguards)

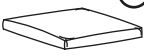
Front castors ⑮

- 80 (3") solid
- 80 (3") solid with lights
- 100 (4"x1.1/4) solid with plastic rim
- 100 (4"x1) solid with lights
- 100 (4"x1.1/4) solid with alum. rim
- 125 (5"x1.1/4) solid with plastic rim
- 125 (5"x1.1/4) solid with alum. rim
- 125 (5"x1) solid with lights

Anodized set (forks & Light wheels 24") ⑮


- Black
- Silver
- Light blue
- Red
- Orange
- Cyclamen light purple

Lined cushion in foam polyurethan ⑰




- 3 cm high
- 5 cm high

SEAT ⑱



STANDARD SEAT




ERGO SEAT

(carbon fibre rigid seat only suitable for standard seat)


Inclined backrest bar ⑲

- Standard: dia 22mm
P (bar) 7,5cm;
H (bar) 19cm.
- Custom:
H (bar).....cm


Pockets ⑲



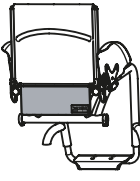
Small under the seat



Hanging from seat



Big under the seat



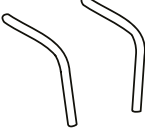
Backrest pocket

Options

- 22 "M+F" velcro strips (hook and loop) on seat
- 23 "M" velcro strips (hook) on seat
- 24 "M" velcro for Vicair
- 25 "F" velcro strips (loop) on seat
- 26 Catheter holder pocket
- 27 Pump for pneumatics
- 28 45° pelvic belt
- 29 45° padded pelvic belt
- 30 Black backpack
- 31 Front protective covers

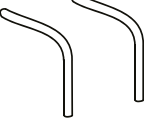
Front frame shape ⑳

V shaped front frame

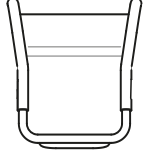


The CRB tilt adjustable footplate only is suitable with the V shaped front frame

STRAIGHT front frame



Y shaped front frame



Straight front frame or Y shaped front frame are suitable with any type of footplate

Technical drawing sent for approval on:approved on:.....

Notes: _____