

Dealer

Date:
 Quotation
 Order n°
 Reference:
 May 2024 · Signature

Legend **standard option** (default)
 option without any additional price
 option with additional price

1. MEASUREMENTS (cm)

L Seat width	<input type="checkbox"/> 34 <input type="checkbox"/> 36 <input type="checkbox"/> 38 <input type="checkbox"/> 40 <input type="checkbox"/> 42 <input type="checkbox"/> 44 <input type="checkbox"/> 46
P Seat depth	<input type="checkbox"/> 34 <input type="checkbox"/> 36 <input type="checkbox"/> 38 <input type="checkbox"/> 40 <input type="checkbox"/> 42 <input type="checkbox"/> 44 <input type="checkbox"/> 46 <input type="checkbox"/> 48
H Back-rest height	<input type="checkbox"/> 27 <input type="checkbox"/> 29 <input type="checkbox"/> 31 <input type="checkbox"/> 33 <input type="checkbox"/> 35 <input type="checkbox"/> 37 <input type="checkbox"/> 39
HA Front seat/floor height	<input type="checkbox"/> 40 <input type="checkbox"/> 42 <input type="checkbox"/> 44 <input type="checkbox"/> 46 <input type="checkbox"/> 48 <input type="checkbox"/> 50 <input type="checkbox"/> 52
HP Rear seat/floor height	<input type="checkbox"/> 37 <input type="checkbox"/> 38 <input type="checkbox"/> 39 <input type="checkbox"/> 40 <input type="checkbox"/> 41 <input type="checkbox"/> 42 <input type="checkbox"/> 43 <input type="checkbox"/> 44 <input type="checkbox"/> 45 <input type="checkbox"/> 46 <input type="checkbox"/> 47 <input type="checkbox"/> 48 <input type="checkbox"/> 49 <input type="checkbox"/> 50
P Foot-rest/seat distance	<input type="checkbox"/> 35 <input type="checkbox"/> 37 <input type="checkbox"/> 39 <input type="checkbox"/> 41 <input type="checkbox"/> 43 <input type="checkbox"/> 45 <input type="checkbox"/> 47 <input type="checkbox"/> 49

2. FRAME

Front frame shape
 "V" shape Straight

(Only tilt adjustable closed footplate)

Footplate
 Tilt adjustable, closed carbon fibre footplate, black Open, black (Straight front frame only)
 Carbon, closed footrest (Straight front frame only)

(Only choice in case of V shaped front frame)

Push handles
 No pushing handles Fixed pushing handles
 Height adj. push handles Foldable push handles

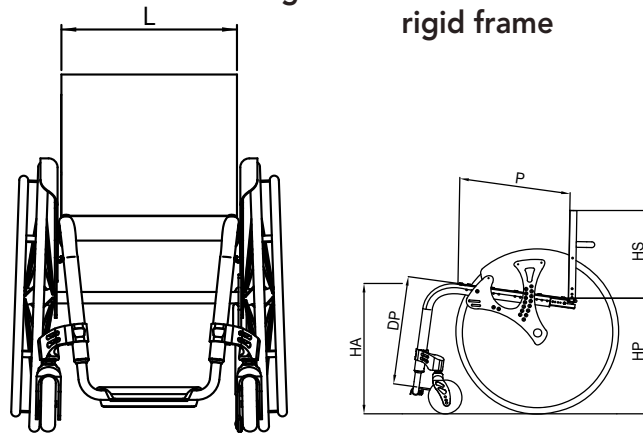
Front frame angle

90° (def.) A=16 cm
 95° A=22 cm

Backrest bar

Default (P 7,5 cm, H 19 cm, dia 21 mm)
 Custom
 P cm
 H cm

THEMIS
 Ergonomic Aluminium rigid frame



3. COLOURS

Frame & forks colour
 Matte black Glossy black Met. grey Met. blue Other colour: (see "Colours" catalogue)
 Matte Purple Matte London smoke Matte Blue Klein Neon green Neon orange

Colour(s) of details Add'l for bicolour option:
EAR (front wheel holder) Same as frame Other colour:
Clothes guard holder Same as frame Other colour:

24" Light rear wheels (** if selected) & eventual forks:
 Black Silver Light blue Red Orange Cyclamen light purple

4. SETUP

RANGE 1:
 5 cm 7 cm 9 cm 11 cm 13 cm 15 cm

RANGE 2:
 0 cm 2 cm 4 cm 6 cm 8 cm 10 cm

Distance between hub centre and backrest COG

Backrest tilt (adjustable)

89°
 91° (default)
 93°

Rear wheel camber
 1° 2° 3° 4° Q.rel.axles Ø 12mm w/cambered bushes 42mm (def.)
 Q.rel. axles Ø 1/2" (12,7mm) w/camb.bushes 42mm
 Q.rel. axles Ø 1/2" (12,7mm) w/camb.bushes 50mm

Revolving anti-tip

Right
 Left

