

Order N° \_\_\_\_\_  Quotation  
 Date \_\_\_\_\_ Signature \_\_\_\_\_  
 Customer Ref. \_\_\_\_\_ User's weight Kg \_\_\_\_\_

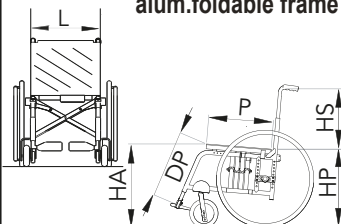
**Key**  
 standard  
 option

**PAGE 1/2**  
 May 2024

Dealer \_\_\_\_\_

- L** Seat width 34 36 38 40 42 44 46 48 50  
52\* 56\* 60 (including cover for footplate according to setup)
- P** Seat depth 36 38 40 42 44 46  
 Adjustable up to 6 cm (max.50cm)  
48 50
- HS** Back-rest height 29 31 33 35 37 39 41 43 45  
47 49 51 55 60 (included stretched bar)
- HA** Front seat/floor height 38<sub>(fc80max)</sub> 39<sub>(fc100max)</sub> 40<sub>(fc125max)</sub> 42<sub>(fc150max)</sub> 45<sub>(fc175max)</sub>  
 (with MAX size of front castors)  
 (NOTE: 175 front castors do not allow 82° detachable footrests)  
44<sub>(fc150max)</sub> 46<sub>(fc175max)</sub>
- HP** Rear seat/floor height 34 36 38 40 42 44 45 46 48  
 NOTE: 24" rear wheels (if HP min.38/max 48) 22" (if HP min.36/max 45) 20" (if HP min.34/max 43)
- DP** Foot-rest/seat distance 34 35 37 39 41 43 45  
 (from 17 to 32 cm footrest directly assembled on the frame) .....

**ALTHEA19.R**  
**LOWERED**  
**& RECLINING**  
 alum.foldable frame



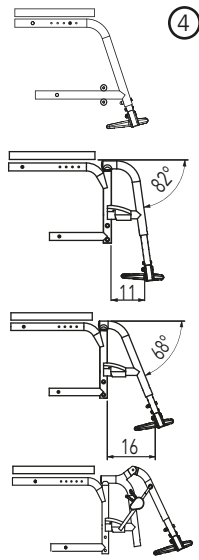
Reclining backrest, 90° to 150°, activated by a lever on the pushing handles that releases gas cylinders.

- Frame colour**  Matte black  
 Metallic blue  Pearl red  Metallic grey  
 Pearl white  Glossy black  
 ..... (see "Colours" catalogue) from: Neon col.....

- 1 Upholstery**  
 Tension adj. nylon backrest upholstery  
 Tension adj. breath.backr.  
 Without any back-rest upholstery  
 With divided seat (joint by velcro, def.)  
 With one entire seat (not depth adjustable)

- 2 Upholstery colour**  
 (Coloured uphol. only with Tension. adj. nylon)  
 Black  
 Red★  Orange★  
 Light blue★  Green★  
 Cornflower blue★

- Not Detachable foot-rest**
- Detachable foot-rest 82° angle**  
 (DP 41 cm)
- Detachable foot-rest 68° angle**  
 (DP 41 cm)
- Elevating foot-rest (detachable)**

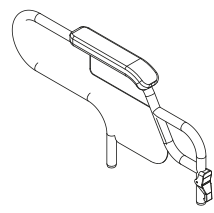


- Plastic separate**
- Cover f/footplates \*  
 Foot-holding belts (L50max)  
 Heel stops (L50max)  
 (\* eventually included f/L 52 to 60)

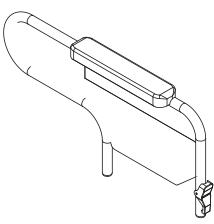
- 6 Separate aluminium profile tilt adjustable footplates:**  
 forward  backward  
 Foot-holding belts (L50max)

- 7 Single aluminium profile tilt adjustable footplate:**  
 (not available with elevating foot-rest)  
 forward  backward  
 Foot-holding belts

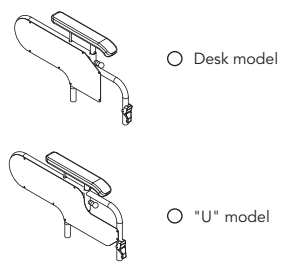
- Detachable Desk armrest h 22 cm**
- 27 cm high from the seat
- Elbow-rest**  
 Classic (30 cm long)  
 Straight (26 cm long)  
 Tubular  
 Hemiplegic RX  
 Hemiplegic LX



- Detachable "U" armrest h 22 cm**
- 27 cm high from the seat
- Elbow-rest**  
 Straight (26 cm long)  
 Straight (36 cm long)  
 Tubular  
 Hemiplegic RX  
 Hemiplegic LX



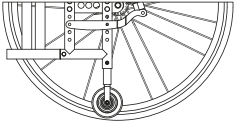
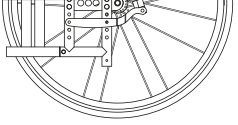
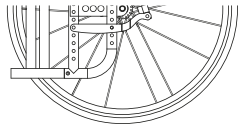
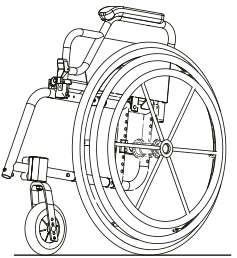
- 9 Height adjustable detachable armrest (only closed)**  
 Desk model  
 "U" model
- Elbow-rest**  
 Classic (30 cm long)  
 Classic (36 cm long)  
 Straight (26 cm long)  
 Straight (36 cm long)  
 Hemiplegic RX  
 Hemiplegic LX


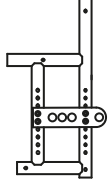
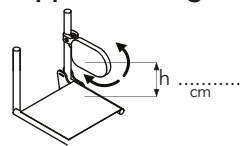


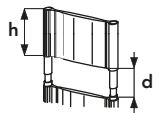


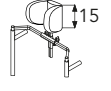

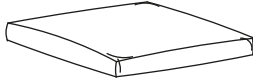
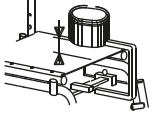
Order N° \_\_\_\_\_  Quotation  
 Date \_\_\_\_\_ Signature \_\_\_\_\_  
 Customer Ref. \_\_\_\_\_

Dealer \_\_\_\_\_

<p><b>Rear wheels</b> (11)</p> <p><input type="checkbox"/> 24" 36 spokes    <input type="checkbox"/> 12" solid*  <input type="checkbox"/> 22" 36 spokes    <input type="checkbox"/> 12" pneumatic*  <input type="checkbox"/> 20" 36 spokes    (* N.A. if HP=42 or HP≥46cm if HP44: only curved rear frame)  <input type="checkbox"/> 24" MTB citybike tyre  <input type="checkbox"/> 24" MTB offroad tyre</p> <p><input type="checkbox"/> Pneum. Plugged (24x 1.3/8") <b>Tyres</b>  <input type="checkbox"/> Plugged <input type="checkbox"/> Smooth Pneum. high press.  <input type="checkbox"/> Solid grey 24x1.3/8"  <input type="checkbox"/> Solid KIK 24" black  <input type="checkbox"/> 24" Pneum. Marathon Plus</p>	<p><b>Pushrims</b> (12)</p> <p><input type="checkbox"/> Aluminium silver  <input type="checkbox"/> Chromium-plated steel 24"  <input type="checkbox"/> Aluminium dark  <input type="checkbox"/> Rubber coated  <input type="checkbox"/> Carbolife CURVE L 24" (*)  <input type="checkbox"/> OVAAL silver alum. (*)  <input type="checkbox"/> OVAALS dark alum. (*)  <input type="checkbox"/> OVAALG dark, w/silic. insert (*)  <input type="checkbox"/> Carbolife GEKKO 24" (*)  <input type="checkbox"/> Silicon covers 24"                  (*) not available with MTB wheels</p>	<p><b>Spokeguards</b> (13)</p> <p><input type="checkbox"/> Transparent  <input type="checkbox"/> Black  <input type="checkbox"/> Fantasy                  code pattern: .....                  (see catalogue of spokeguards)</p>	<p><b>Front castors</b> (14)</p> <p><input type="checkbox"/> 100 (4"x1.1/4) solid - plastic rim  <input type="checkbox"/> 100 (4"x1.1/4) solid - alum. rim  <input type="checkbox"/> 125 (5"x1.1/4) solid - plastic rim  <input type="checkbox"/> 125 (5"x1.1/4) solid - alum. rim  <input type="checkbox"/> 150 (6") pneumatic  <input type="checkbox"/> 150 (6") solid  <input type="checkbox"/> 175 (7") solid **  <input type="checkbox"/> 175 (7") pneumatic **</p> <p>(**) only if HA ≥48cm and with 68° detach.footrests</p>
---	---	---	---

<p><input type="checkbox"/> <b>STRAIGHT Rear Frame</b></p> <p><input type="checkbox"/> With small wheels for narrow passages (default)    <input type="checkbox"/> Without any small wheels for narrow passages</p> <div style="display: flex; justify-content: space-around;">   </div> <p><input type="checkbox"/> <b>CURVED Rear Frame</b></p>  <p>(With curved rear frame it is not possible to assemble any small wheels for narrow passages)</p>	<p><b>Unbalancing system</b> (15)</p> <p><input type="checkbox"/> Right  <input type="checkbox"/> Left                  (Only with straight rear frame)</p> <p><input type="checkbox"/> <b>Anti-tip device</b> (15)</p> <p><input type="checkbox"/> Right  <input type="checkbox"/> Left                  (Only with straight rear frame)</p> <p><input type="checkbox"/> <b>Unbalancing system</b></p> <p><input type="checkbox"/> Right  <input type="checkbox"/> Left                  (Only with curved rear frame)</p> <p><input type="checkbox"/> <b>Revolving anti-tip device</b></p> <p><input type="checkbox"/> Right  <input type="checkbox"/> Left                  (Only with curved rear frame)</p>	<p><b>Single drive</b> (16)</p> <p>(only with 24" or 22" rear wheels)</p> <p><input type="checkbox"/> Right  <input type="checkbox"/> Left</p> 
---	--	---

<p><b>Push handles</b> (17)</p> <p><input type="checkbox"/> Standard    <input type="checkbox"/> Height adjustable                  (max L = 48 cm)                  (Compulsory with HP44cm or lower)</p> 	<p><input checked="" type="checkbox"/> <b>Extended wheel plate</b> (18)</p>  <p>(The rear wheels are assembled with COG -2cm)</p>	<p><b>Lateral Supports, swing away</b> (19)</p>  <p><input type="checkbox"/> Right  <input type="checkbox"/> Left</p> <p>Specify the height "h" from center of Swing Away to seat</p>
--	--	--

<p><b>Head-rest</b> (20)</p> <p><b>Padded</b></p>  <p><input type="checkbox"/> Fixed  <input type="checkbox"/> Height adjustable</p> <p><b>Orbital</b></p> <p><input type="checkbox"/> Anatomic</p>  <p><input type="checkbox"/> Moulded</p>  <p><input type="checkbox"/> With lateral supports</p>  <p>Specify "h" &amp; "d" where requested                  Standard: h = 20 cm    d = 15 cm                  h = ..... cm    d = ..... cm</p>	<p><b>Table</b> (21)</p> <p><input type="checkbox"/> Transparent  <input type="checkbox"/> Rx OLx Hemiplegic transp.  <input type="checkbox"/> Plastic grey  <input type="checkbox"/> Soft padded</p> <p>Specify the fastening:  <input type="checkbox"/> single    <input type="checkbox"/> double</p>  <p>(Only with arm-rest)    OXL if L &gt; 50cm</p> <p><b>Lined cushion in foam polyurethane</b> (24)</p>  <p><input type="checkbox"/> 3 cm high  <input type="checkbox"/> 5 cm high</p>	<p><b>Brakes</b> (22)</p> <p><input type="checkbox"/> Classic - short handle  <input type="checkbox"/> Classic - long handle  <input type="checkbox"/> Drum  <input type="checkbox"/> Right single brake  <input type="checkbox"/> Left single brake  <input type="checkbox"/> Drum+classic</p> <p><b>Options</b></p> <p>25 <input type="checkbox"/> "M" velcro strip (hook) on seat                  26 <input type="checkbox"/> "M" velcro for VICAIR                  27 <input type="checkbox"/> "F" velcro strip (loop) on seat                  28 <input type="checkbox"/> Seat/back-rest connection flap                  29 <input type="checkbox"/> Chest harness                  30 <input type="checkbox"/> Chest belt                  31 <input type="checkbox"/> Abductor belt                  32 <input type="checkbox"/> Front protective covers                  33 <input checked="" type="checkbox"/> Stretched bar                  34 <input type="checkbox"/> Catheter holder pocket                  (note: only with entire seat)</p>	<p><b>Abductor</b> (23)</p>  <p><input type="checkbox"/> 1    <input type="checkbox"/> 3    <input type="checkbox"/> 5    <input type="checkbox"/> 7 cm  <input type="checkbox"/> ..... cm                  Choose or specify the height from seat upholstery</p> <p>35 <input type="checkbox"/> R O L Crutch hold./single                  36 <input type="checkbox"/> R O L Crutch hold./double                  37 <input type="checkbox"/> Pump for pneumatics                  38 <input type="checkbox"/> Suitcase holder                  39 <input type="checkbox"/> 45° pelvic belt                  40 <input type="checkbox"/> 45° padded pelvic belt                  41 <input type="checkbox"/> Black backpack                  42 <input type="checkbox"/> IV bar + poles                  43 <input type="checkbox"/> IV poles</p> <p>44 <input type="checkbox"/> Q.rel.axles Ø12mm w/42mm bushes (def.)                  45 <input type="checkbox"/> Q.rel.a. Ø1/2" (12,7mm) w/42mm bushes                  46 <input type="checkbox"/> Q.rel.a. Ø1/2" (12,7mm) w/50mm bushes</p>
---	---	--	---