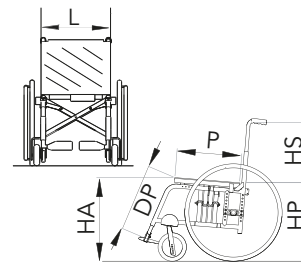


Dealer

**DAMPENED backrest**  
**ALTHEA.M**  
 Alum. foldable frame



Key	<input type="checkbox"/> standard	<input type="radio"/> options
<b>L</b> Seat width	<input type="checkbox"/> 34 <input type="checkbox"/> 36 <input type="checkbox"/> 38 <input type="checkbox"/> 40 <input type="checkbox"/> 42 <input type="checkbox"/> 44 <input type="checkbox"/> 46 <input type="checkbox"/> 48 <input type="checkbox"/> 50	<input type="radio"/> 52 <input type="radio"/> 56 <input type="radio"/> 60 (including cover for footplate according to setup)
<b>P</b> Seat depth Adjustable up to 6cm (max.50 cm)	<input type="checkbox"/> 36 <input type="checkbox"/> 38 <input checked="" type="checkbox"/> 40 <input type="checkbox"/> 42 <input type="checkbox"/> 44 <input type="checkbox"/> 46	<input type="radio"/> 48 <input type="radio"/> 50
<b>HS</b> Back-rest height	<input type="checkbox"/> 29 <input type="checkbox"/> 31 <input type="checkbox"/> 33 <input type="checkbox"/> 35 <input type="checkbox"/> 37 <input type="checkbox"/> 39 <input type="checkbox"/> 41 <input type="checkbox"/> 43 <input type="checkbox"/> 45	<input type="radio"/> 47 <input type="radio"/> 49 <input type="radio"/> 51 <input type="radio"/> 55 <input type="radio"/> 60
<b>HA</b> Front seat/floor height	<input type="checkbox"/> 42 <input type="checkbox"/> 43 <input type="checkbox"/> 44 <input type="checkbox"/> 46 <input type="checkbox"/> 48 <input checked="" type="checkbox"/> 50 <input type="checkbox"/> 52	<input type="radio"/> 54
<b>HP</b> Rear seat/floor height	<input type="checkbox"/> 38 <input type="checkbox"/> 40 <input type="checkbox"/> 42 <input type="checkbox"/> 44 <input checked="" type="checkbox"/> 46 <input type="checkbox"/> 48 <input type="checkbox"/> 50	
<b>DP</b> Foot-rest/seat distance	<input type="checkbox"/> 34 <input type="checkbox"/> 35 <input type="checkbox"/> 37 <input type="checkbox"/> 39 <input type="checkbox"/> 41 <input type="checkbox"/> 43 <input type="checkbox"/> 45 <input type="checkbox"/> 47 <input type="checkbox"/> 49 <input type="checkbox"/> 51	(from 17 to 32 cm foot-rest directly assembled on the frame) ..... cm

<b>Frame colour</b>	<input type="checkbox"/> Matte black	<b>1</b>
<input type="checkbox"/> Metallic blue <input type="checkbox"/> Pearl red <input type="checkbox"/> Metallic grey		
<input type="radio"/> Orange <input type="radio"/> Emerald green <input type="radio"/> Deep sky light blue		
<input type="radio"/> ..... (see "Colours" catalogue)	Neon colour	

<b>Upholstery</b>	<b>2</b>
<input type="checkbox"/> Tension adj. nylon backrest upholstery	
<input type="radio"/> Tension adj. BREATH.backr.uph.	
<input type="checkbox"/> Without any backrest upholstery	
<input type="checkbox"/> With divided seat (joint by velcro, def.)	
<input type="checkbox"/> With one entire seat (not depth adjustable)	

<b>Upholstery colour</b>	<b>3</b>
(Coloured uphol. only with Tension. adj. nylon)	
<input type="checkbox"/> Black	
<input type="radio"/> Red* <input type="radio"/> Orange*	
<input type="radio"/> Light blue* <input type="radio"/> Green*	
<input type="radio"/> Cornflower blue*	

<input type="checkbox"/> <b>Not Detachable foot-rest</b>	<b>4</b>
<input type="radio"/> <b>Dampened not det. foot-rest</b> (needs single dampened footplate with fastening block)	
<input type="checkbox"/> <b>Detachable foot-rest 82° angle</b> (DP 41 cm) (82° footrests do not allow any 175 front castors)	
<input type="checkbox"/> <b>Detachable foot-rest 68° angle</b> (DP 41 cm)	
<input type="radio"/> <b>Dampened det. foot-rest 68° angle</b> (needs single dampened footplate with fastening block)	
<input type="radio"/> <b>Elevating foot-rest (detachable)</b>	

<input type="checkbox"/> <b>Plastic separate</b>	<b>5</b>
<input type="radio"/> Cover f/footplates *	
<input type="radio"/> Foot-holding belts (W50max)	
<input type="radio"/> Heel stops (W50max)	
(* eventually included for W 52 to 60)	

<b>Separate aluminium profile tilt adjustable footplates:</b>	<b>6</b>
<input type="radio"/> forward <input type="radio"/> backward	
<input type="radio"/> Foot-holding belts (W50max)	

<b>Single aluminium profile tilt adj.footplate:</b> (not available with elevating footrest)	
<input type="radio"/> forward <input type="radio"/> backward	
<input type="radio"/> Foot-holding belts	

<b>Single DAMPENED footplate</b> aluminium profile, w/fastening block (needed in case of dampened footrest)	<b>7</b>
<input type="checkbox"/> forward <input type="checkbox"/> backward	
<input type="radio"/> Foot-holding belts	

<input type="checkbox"/> <b>Detachable Desk armrest h 22 cm</b>	<b>8</b>
<input type="checkbox"/> 27 cm high from the seat	
<b>Elbow-rest</b>	
<input type="checkbox"/> Classic (30 cm long)	
<input type="checkbox"/> Straight (26 cm long)	
<input type="radio"/> Hemiplegic RX	
<input type="radio"/> Hemiplegic LX	
note: see also Hemi modular armrest ord.form	

<input type="checkbox"/> <b>Detachable "U" armrest h 22 cm</b>	<b>9</b>
<input type="checkbox"/> 27 cm high from the seat	
<b>Elbow-rest</b>	
<input type="checkbox"/> Straight (26 cm long)	
<input type="radio"/> Straight (36 cm long)	
<input type="radio"/> Hemiplegic RX	
<input type="radio"/> Hemiplegic LX	
note: see also Hemi modular armrest ord.form	

<b>Height adjustable detachable armrest</b> (only closed)	<b>10</b>
<input type="radio"/> Desk model	
<input type="radio"/> "U" model	
<b>Elbow-rest</b>	
<input type="checkbox"/> Classic (30 cm long)	
<input type="radio"/> Classic (36 cm long)	
<input type="checkbox"/> Straight (26 cm long)	
<input type="radio"/> Straight (36 cm long)	
<input type="radio"/> Hemiplegic RX	
<input type="radio"/> Hemiplegic LX	
note: see also Hemi modular armrest ord.form	

Dealer \_\_\_\_\_

**Rear wheels** ①

24" 36 spokes  12" solid\*  
 22" 36 spokes  12" pneumatic\*  
 20" 36 spokes (\* N.A. if HP=42 or HP>46cm if HP44: only curved rear frame)  
 24" MTB citybike tyre  
 24" MTB offroad tyre

Pneum. Plugged (24x1.3/8") **Tyres**  
 Plugged  Smooth Pneum. high press.  
 Solid grey 24x1.3/8"  
 Solid KIK 24" black  
 24" Pneum. Marathon Plus

**Pushrims** ②

Aluminium silver  
 Chromium-plated steel 24"  
 Aluminium dark  
 Rubber coated  
 Carbolife CURVE L 24"(\*)  
 OVAAL silver alum. (\*)  
 OVAALS dark alum. (\*)  
 OVAALG dark, w/silic. insert (\*)  
 Carbolife GEKKO 24" (\*)  
 Silicon covers 24"  
 (\*) not available with MTB wheels

**Spokeguards** ③

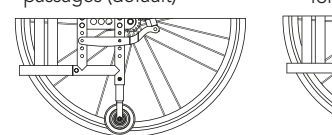
Transparent  
 Black  
 Fantasy  
 code pattern: .....  
 (see catalogue of spokeguards)

**Front castors** ④

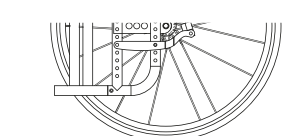
100 (4"x1.1/4) solid - plastic rim  
 100 (4"x1.1/4) solid - alum. rim  
 125 (5"x1.1/4) solid - plastic rim  
 125 (5"x1.1/4) solid - alum. rim  
 150 (6") pneumatic  
 150 (6") solid  
 175 (7") solid \*\*  
 175 (7") pneumatic \*\*  
 (\*\*) only if HA ≥48cm and with 68°detach.footrests

**STRAIGHT Rear Frame**

With small wheels for narrow passages (default)  Without any small wheels for narrow passages



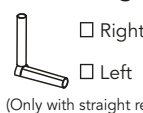
**CURVED Rear Frame**



(With curved rear frame it is not possible to assemble any small wheels for narrow passages)

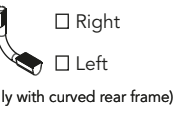
**Unbalancing system**

Right  Left  
 (Only with straight rear frame)



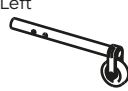
**Unbalancing system**

Right  Left  
 (Only with curved rear frame)



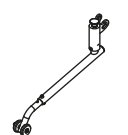
**Anti-tip device** ⑤

Right  Left  
 (Only with straight rear frame)



**Revolving anti-tip device**

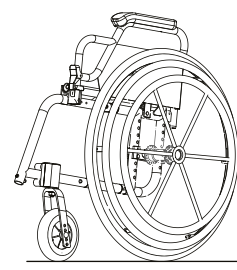
Right  Left  
 (Only with curved rear frame)



**Single drive** ⑥


(only with 24" or 22" rear wheels)

Right  Left

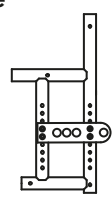


**Push handles** ⑦

Standard  Height adjustable (max L = 48 cm) (Compulsory with HP44cm or lower)



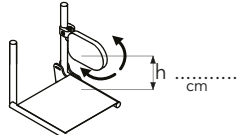
**Extended wheel plate** ⑧



(The rear wheels are assembled with COG -2cm)

**Lateral Supports, swing away** ⑨

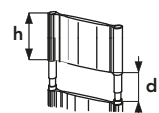
Right  Left



Specify the height "h" from center of Swing Away to seat

**Head-rest** ⑩

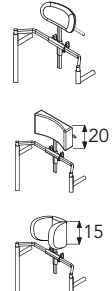
**Padded**



Fixed  Height adjustable

**Orbital**

Anatomic  Moulded  With lateral supports

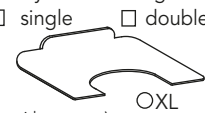


Specify "h" & "d" where requested  
 Standard: h = 20 cm d = 15 cm  
 h = ..... cm d = ..... cm

**Table** ⑪

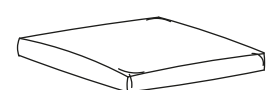
Transparent  
 Rx OLx Hemiplegic transp.  
 Plastic grey  
 Soft padded

Specify the fastening:  
 single  double



(Only with arm-rest) if L>50cm

**Lined cushion in foam polyurethane** ⑫



3 cm high  5 cm high

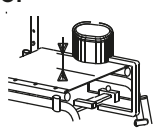
**Brakes** ⑬

Classic - short handle  
 Classic - long handle  
 Drum  
 Right single brake  
 Left single brake  
 Drum+classic

**Options**

25  "M" velcro strip (hook) on seat  
 26  "M" velcro for VICAIR  
 27  "F" velcro strip (loop) on seat  
 28  Seat/back-rest connection flap  
 29  Chest harness  
 30  Chest belt  
 31  Abductor belt  
 32  Front protective covers  
 33  Stretched bar  
 34  Catheter holder pocket (note: only with entire seat)

**Abductor** ⑭



1  3  5  7 cm  
 ..... cm  
 Choose or specify the height from seat upholstery

35  R  L Crutch hold./single  
 36  R  L Crutch hold./double  
 37  Pump for pneumatics  
 38  Suitcase holder  
 39  45° pelvic belt  
 40  45° padded pelvic belt  
 41  Black backpack  
 42  IV bar + poles  
 43  IV poles  
 44  Q.rel.axles Ø12mm w/42mm bushes (def.)  
 45  Q.rel.a. Ø1/2" (12,7mm) w/42mm bushes  
 46  Q.rel.a. Ø1/2" (12,7mm) w/50mm bushes