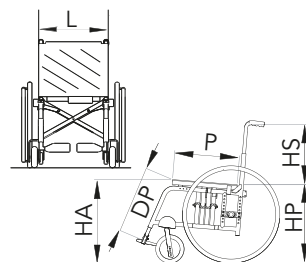


Dealer _____

Key standard options

Reclining backrest, 90° to 150°, activated by a lever on the pushing handles that release gas springs.

**RECLINING
 ALTHEA.R**
 Alum. foldable frame



L Seat width	<input type="checkbox"/> 34 <input type="checkbox"/> 36 <input type="checkbox"/> 38 <input type="checkbox"/> 40 <input type="checkbox"/> 42 <input type="checkbox"/> 44 <input type="checkbox"/> 46 <input type="checkbox"/> 48 <input type="checkbox"/> 50 <input type="radio"/> 52 <input type="radio"/> 56 <input type="radio"/> 60 (including cover for footplate according to setup)
P Seat depth Adjustable up to 6cm (max.50 cm)	<input type="checkbox"/> 36 <input type="checkbox"/> 38 <input type="checkbox"/> 40 <input type="checkbox"/> 42 <input type="checkbox"/> 44 <input type="checkbox"/> 46 <input type="radio"/> 48 <input type="radio"/> 50
HS Back-rest height	<input type="checkbox"/> 29 <input type="checkbox"/> 31 <input type="checkbox"/> 33 <input type="checkbox"/> 35 <input type="checkbox"/> 37 <input type="checkbox"/> 39 <input type="checkbox"/> 41 <input type="checkbox"/> 43 <input type="checkbox"/> 45 <input type="radio"/> 47 <input type="radio"/> 49 <input type="radio"/> 51 <input type="radio"/> 55 <input type="radio"/> 60
HA Front seat/floor height	<input type="checkbox"/> 42 <input type="checkbox"/> 43 <input type="checkbox"/> 44 <input type="checkbox"/> 46 <input type="checkbox"/> 48 <input type="checkbox"/> 50 <input type="checkbox"/> 52 <input type="radio"/> 54
HP Rear seat/floor height	<input type="checkbox"/> 38 <input type="checkbox"/> 40 <input type="checkbox"/> 42 <input type="checkbox"/> 44 <input type="checkbox"/> 46 <input type="checkbox"/> 48 <input type="checkbox"/> 50
DP Foot-rest/seat distance	<input type="checkbox"/> 34 <input type="checkbox"/> 35 <input type="checkbox"/> 37 <input type="checkbox"/> 39 <input type="checkbox"/> 41 <input type="checkbox"/> 43 <input type="checkbox"/> 45 <input type="checkbox"/> 47 <input type="checkbox"/> 49 <input type="checkbox"/> 51 (from 17 to 32 cm foot-rest directly assembled on the frame) cm

Frame colour

<input type="checkbox"/> Matte black	<input type="checkbox"/> Metallic blue	<input type="checkbox"/> Pearl red	<input type="checkbox"/> Metallic grey
<input type="radio"/> Orange	<input type="radio"/> Emerald green	<input type="radio"/> Deep sky light blue	
<input type="radio"/>(see "Colours" catalogue)			<input type="radio"/> Neon colour

Upholstery

Tension adj. nylon backrest upholstery
 Tension adj. BREATH.backr.uph.
 Without any backrest upholstery

With divided seat (joint by velcro, def.)
 With one entire seat (not depth adjustable)

Upholstery colour

(Coloured uphol. only with Tension. adj. nylon)

Black
 Red★ Orange★
 Light blue★ Green★
 Cornflower blue★

Not Detachable foot-rest

Detachable foot-rest 82° angle
 (DP 41 cm)
 (82° footrests do not allow any 175 front castors)

Detachable foot-rest 68° angle
 (DP 41 cm)

Elevating foot-rest (detachable)

Plastic separate

Cover f/footplates*
 Foot-holding belts (W50max)
 Heel stops (W50max)
 (* eventually included for W 52 to 60)

Separate aluminium profile tilt adjustable footplates:

forward backward

Foot-holding belts (W50max)

Single aluminium profile tilt adjustable footplate:
 (not available with elevating footrest)

forward backward

Foot-holding belts

Detachable Desk armrest h 22 cm

27 cm high from the seat

Elbow-rest

Classic (30 cm long)
 Straight (26 cm long)
 Hemiplegic RX
 Hemiplegic LX

note: see also Hemi modular armrest ord.form

Detachable "U" armrest h 22 cm

27 cm high from the seat

Elbow-rest

Straight (26 cm long)
 Straight (36 cm long)
 Hemiplegic RX
 Hemiplegic LX

note: see also Hemi modular armrest ord.form

Height adjustable detachable armrest
 (only closed)

Desk model

"U" model

Elbow-rest

Classic (30 cm long)
 Classic (36 cm long)
 Straight (26 cm long)
 Straight (36 cm long)
 Hemiplegic RX
 Hemiplegic LX

note: see also Hemi modular armrest ord.form

Dealer _____

Rear wheels ⑪

24" 36 spokes 12" solid*
 22" 36 spokes 12" pneumatic*
 20" 36 spokes (* N.A. if HP=42 or HP>46cm if HP44: only curved rear frame)
 24" MTB citybike tyre
 24" MTB offroad tyre

Pneum. Plugged (24x1.3/8") **Tyres**
 Plugged Smooth Pneum. high press.
 Solid grey 24x1.3/8"
 Solid KIK 24" black
 24" Pneum. Marathon Plus

Pushrims ⑫

Aluminium silver
 Chromium-plated steel 24"
 Aluminium dark
 Rubber coated
 Carbolife CURVE L 24"(*)
 OVAAL silver alum. (*)
 OVAALS dark alum. (*)
 OVAALG dark, w/silic. insert (*)
 Carbolife GEKKO 24" (*)
 Silicon covers 24"
 (*) not available with MTB wheels

Spokeguards ⑬

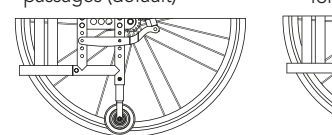
Transparent
 Black
 Fantasy
 code pattern:
 (see catalogue of spokeguards)

Front castors ⑭

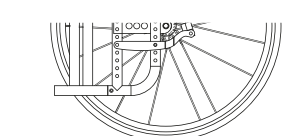
100 (4"x1.1/4) solid - plastic rim
 100 (4"x1.1/4) solid - alum. rim
 125 (5"x1.1/4) solid - plastic rim
 125 (5"x1.1/4) solid - alum. rim
 150 (6") pneumatic
 150 (6") solid
 175 (7") solid **
 175 (7") pneumatic **
 (**) only if HA ≥48cm and with 68°detach.footrests

STRAIGHT Rear Frame

With small wheels for narrow passages (default) Without any small wheels for narrow passages



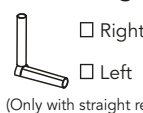
CURVED Rear Frame



(With curved rear frame it is not possible to assemble any small wheels for narrow passages)

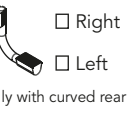
Unbalancing system

Right Left
 (Only with straight rear frame)



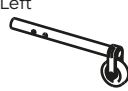
Unbalancing system

Right Left
 (Only with curved rear frame)



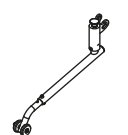
Anti-tip device ⑮

Right Left
 (Only with straight rear frame)



Revolving anti-tip device

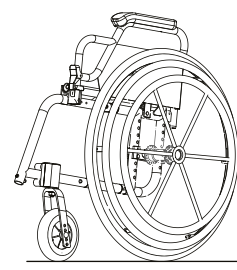
Right Left
 (Only with curved rear frame)



Single drive ⑯


(only with 24" or 22" rear wheels)

Right Left

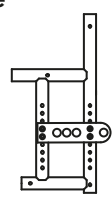


Push handles ⑰

Standard Height adjustable (max L = 48 cm) (Compulsory with HP44cm or lower)



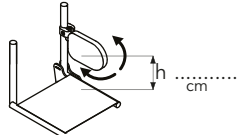
Extended wheel plate ⑱



(The rear wheels are assembled with COG -2cm)

Lateral Supports, swing away ⑲

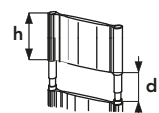
Right Left



Specify the height "h" from center of Swing Away to seat

Head-rest ⑳

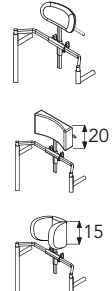
Padded



Fixed Height adjustable

Orbital

Anatomic Moulded With lateral supports

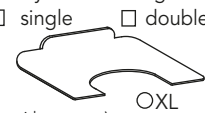


Specify "h" & "d" where requested
 Standard: h = 20 cm d = 15 cm
 h = cm d = cm

Table ㉑

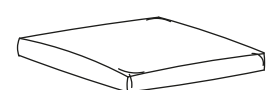
Transparent
 Rx O/Lx Hemiplegic transp.
 Plastic grey
 Soft padded

Specify the fastening:
 single double



(Only with arm-rest) if L>50cm

Lined cushion in foam polyurethane ㉔



3 cm high 5 cm high

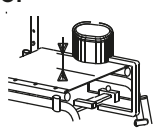
Brakes ㉒

Classic - short handle
 Classic - long handle
 Drum
 Right single brake
 Left single brake
 Drum+classic

Options

25 "M" velcro strip (hook) on seat
 26 "M" velcro for VICAIR
 27 "F" velcro strip (loop) on seat
 28 Seat/back-rest connection flap
 29 Chest harness
 30 Chest belt
 31 Abductor belt
 32 Front protective covers
 33 Stretched bar
 34 Catheter holder pocket (note: only with entire seat)

Abductor ㉓



1 3 5 7 cm
 cm
 Choose or specify the height from seat upholstery

35 R L Crutch hold./single
 36 R L Crutch hold./double
 37 Pump for pneumatics
 38 Suitcase holder
 39 45° pelvic belt
 40 45° padded pelvic belt
 41 Black backpack
 42 IV bar + poles
 43 IV poles
 44 Q.rel.axles Ø12mm w/42mm bushes (def.)
 45 Q.rel.a. Ø1/2" (12,7mm) w/42mm bushes
 46 Q.rel.a. Ø1/2" (12,7mm) w/50mm bushes