

Order N° _____ Quotation
 Date _____ Signature _____
 Customer Ref. _____

PAGE 1/1
 Jan 2022



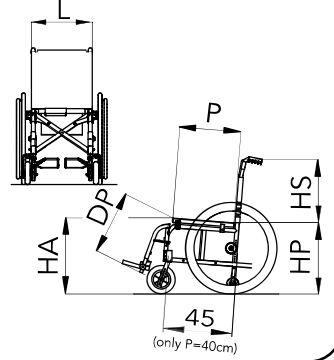
Dealer

Key standard option

EUROPA

L Seat width	<input type="checkbox"/> 38 <input type="checkbox"/> 40 <input type="checkbox"/> 42 <input type="checkbox"/> 44 <input type="radio"/> 46 <input type="radio"/> 48 <input type="radio"/> 50
P Seat depth	<input type="checkbox"/> 38 <input checked="" type="checkbox"/> 40 <input type="checkbox"/> 42 <input type="checkbox"/> 44
HS Back-rest height	<input type="checkbox"/> 37 <input type="checkbox"/> 39 <input type="checkbox"/> 41 <input type="checkbox"/> 43
HA Front seat/floor height	<input type="checkbox"/> 48 <input checked="" type="checkbox"/> 50 <input type="checkbox"/> 52
HP Rear seat/floor height	<input type="checkbox"/> 45 <input checked="" type="checkbox"/> 47 <input type="checkbox"/> 50
DP Foot-rest/seat distance	<input type="checkbox"/> 37 <input type="checkbox"/> 39 <input type="checkbox"/> 41 <input type="checkbox"/> 43 <input type="checkbox"/> 45 <input type="checkbox"/> 47 <input type="checkbox"/> 49 cm

Quantity
 Nr. pieces



Frame colour ①
 Metallic grey

Upholstery ②

<input type="checkbox"/> Nylon	<input type="checkbox"/> Without back-rest
<input type="radio"/> Tension adj. nylon back-rest	<input type="checkbox"/> Without seat
<input type="radio"/> Tension adj. breathable back-rest	

Detachable foot-rests with plastic foot-plates and heel stops ③

Foot-holding belts

Elevating detachable foot-rests with plastic foot-plates and heel stops ④
 (only P = 38 or 40 cm)

Foot-holding belts

Single drive ⑤

Right
 Left

Features

- Aluminium folding frame;
- Aluminium double cross bar;
- Nylon fireproof upholstery;
- Quick-release rear wheels;
- Tilt adjustable foot-plates;
- Heel stops;
- Adjustable rear wheel plate;
- Tilt adjustable front fork plate;
- Height adjustable back-rest;
- Unbalancing pedals;

Weight
 W40 · D40 · HS37 cm : 15,9 kg

Detachable Sport tip-up arm-rest h 22 cm ⑥

Closed
 Open with side guards

Elbow-rest

- Classic (23 cm long)
- Straight (26 cm long)
- Hemiplegic RX
- Hemiplegic LX

Detachable "U" tip-up arm-rest h 22 cm ⑦

Closed
 Open with side guards

Elbow-rest

- Straight (26 cm long)
- Straight (36 cm long)
- Hemiplegic RX
- Hemiplegic LX

Detachable height adjustable tip-up arm-rest ⑧
 (only closed)

Sport "U"

Appoggiagomito

- Classic (23 cm long)
- Classic (30 cm long)
- Straight (26 cm long)
- Straight (36 cm long)
- Hemiplegic RX
- Hemiplegic LX

Rear wheels ⑨

- 24"
- 22"
- 20"

Tyres

- Pneumatic plugged
- Solid

Handrims ⑩

- Aluminium silver
- Chromium-plated 24"
- Aluminium dark
- Rubber coated
- CL CURVE L 24"
- CL GEKKO 24"
- Silicon covers

Spoke guards ⑪

- Transparent
- Black
- Fantasy

code pattern:
 (see catalogue of spokeguards)

Front castors ⑫

- 150 (6"x1.3/8) solid
- 150 (6"x1.1/4) pneum.
- 175 (7"x1) solid
- 175 (7"x1.3/4) pneum.
- 175 (7"x1.3/4) solid

Options

- 17 "M" velcro strip (hook) on seat
- 18 "F" velcro strip (loop) on seat
- 19 Seat/back-rest connecting flap
- 21 Padded rigid seat
- 22 Chest harness
- 23 Chest belt
- 24 Abductor belt
- 25 Catheter holder pocket
- 26 Hinged back-rest
- 28 Rx Lx Crutch holder
- 28 Rx Lx Duple crutch holder
- 29 Pump for pneumatics
- 30 45° pelvic belt
- 31 45° padded pelvic belt
- 32 Black backpack
- 34 Umbrella holder
- 35 Lined cushion, h 3cm high
- 36 Lined cushion, h 5cm high

Extended wheel plate ⑬
 (only HP=47 or 50 cm)

Table (only with arm-rests) ⑭

- Transparent
- Rx Lx Hemiplegic transp. (not for height adjustable arm-rests)
- Plastic grey
- Soft padded

Specify the fastening:
 Single Double
 (the double fastening is compulsory with height adjustable arm-rests)

Anti-tip device ⑮
 (only HP=47 or 50 cm)

Right
 Left

Small wheels for narrow passages ⑯

Without small wheels for narrow passages

Notes