

Order N° _____ Quotation
 Date _____ Signature _____
 Customer Ref. _____ User's weight Kg _____

PAGE 1/1
Jan 2022



Dealer _____

Key

standard

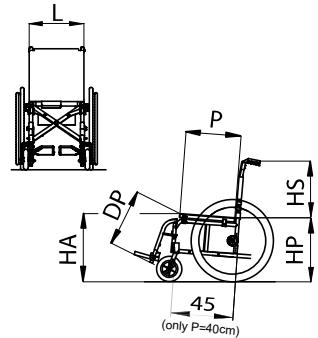
option

MIZAR

L Seat width	<input type="checkbox"/> 40 <input type="checkbox"/> 42 <input type="checkbox"/> 44 <input type="checkbox"/> 46 <input type="checkbox"/> 48
P Seat depth	<input type="checkbox"/> 38 <input checked="" type="checkbox"/> 40 <input type="checkbox"/> 42 <input type="checkbox"/> 44
HS Back-rest height	<input type="checkbox"/> 37 <input type="checkbox"/> 39 <input type="checkbox"/> 41 <input type="checkbox"/> 43
HA Front seat/floor height	50
HP Rear seat/floor height	47
DP Foot-rest/seat distance	<input type="checkbox"/> 37 <input type="checkbox"/> 39 <input type="checkbox"/> 41 <input type="checkbox"/> 43 <input type="checkbox"/> 45 <input type="checkbox"/> 47 <input type="checkbox"/> 49 cm

Quantity

Nr. pieces



Frame colour 1
Metallic grey

Upholstery 2
 Nylon
 Tension adj. nylon back-rest
 Tension adj. breathable back-rest
 Without back-rest
 Without seat

Detachable foot-rests with plastic foot-plates and heel stops 3

 Foot-holding belts

Elevating detachable foot-rests with plastic foot-plates and heel stops 4
 (only P = 38 or 40 cm)

 Foot-holding belts

Anti-tip device 5

 Right
 Left

Features
 Aluminium folding frame;
 Steel single cross bar;
 Nylon fireproof upholstery;
 Tilt adjustable foot-plates;
 Heel stops;
 Height adjustable arm-rests;
 Unbalancing pedal;
 Weight
 w40xd40hx37 cm: 15,6 kg.

Detachable desk tip-up arm-rest - h 22 cm 6

Elbow-rest
 Classic
 Hemiplegic RX
 Hemiplegic LX

Detachable "U" tip-up arm-rest h 22 cm 7

Elbow-rest
 Straight (26 cm long)
 Straight (36 cm long)
 Hemiplegic RX
 Hemiplegic LX

Detachable height adjustable tip-up arm-rest 8

Elbow-rest
 Classic (23 cm long)
 Classic (30 cm long)
 Straight (26 cm long)
 Straight (36 cm long)
 Hemiplegic RX
 Hemiplegic LX

Rear wheels 9
 24"
 12" solid
 12" pneumatic
 24" Pneumatic plugged
 24" Solid

Handrims 10
 Aluminium silver
 Rubber coated
 Tween Greep
 Silicon covers
 Not available with 12" wheels

Table 11
 Transparent
 Rx Lx Hemiplegic Transp.
 Plastic grey
 Soft padded
 Specify the fastening
 Single Double
 (the double fastening is compulsory with height adjustable arm-rests)

Options 11
 17 "M" velcro strip (hook) on seat
 18 "F" velcro strip (loop) on seat
 19 Seat/back-rest connecting flap
 21 Padded rigid seat
 22 Chest harness
 23 Chest belt
 24 Abductor belt
 25 Catheter holder pocket
 26 Hinged back-rest
 28 Rx Lx Crutch holder
 28 Rx Lx Duple crutch holder
 29 Pump for pneumatics
 30 45° pelvic belt
 31 45° padded pelvic belt
 32 Black backpack
 34 Umbrella holder
 35 Lined cushion, h 3cm high
 36 Lined cushion, h 5cm high

Front castors 12
 175 (7"x1) solid
 175 (7"x1.3/4) solid
 175 (7"x1.3/4) pneumatic

Spoke guards 13
 Transparent
 Fantasy
 code pattern:
 (see catalogue of spokeguards)
 Not available with 12" wheels

Small wheels for narrow passages 14
 Small wheels for narrow passages for 24" wheels

Note _____