



INSTRUCTION MANUAL

COSTA KID



OFF CARR S.r.l.
Via Dell'Artigianato II, 29
35010 Villa del Conte (PD) Italy
Tel. +39 049 9325733 Fax +39 049 9325734
offcarr@offcarr.com - www.offcarr.com

INDEX

1. INTRODUCTION	4
1.1 COSTA KID DESCRIPTION	4
2. PREPARATION FOR USE	6
2.1 HANDBIKE PREPARATION	6
2.2 TYRE PRESSURE CHECK	6
2.3 CHECKING THE BRAKES	6
2.4 CHECKING THE ACCESSORIES	6
3. SETTING UP COSTA KID	7
3.1 SETTING THE HEIGHT OF THE SEAT	8
3.2 SETTING THE FOOT-REST POSITION	9
3.3 SETTING THE BACK-REST ANGLE	10
3.4 MOVING THE SEAT HORIZONTALLY	10
3.5 ADJUSTING BRAKE TENSION	11
4. USE OF THE HANDBIKE	12
5. SAFETY MEASURES	13
6. MAINTENANCE, INSPECTIONS AND CONTROLS	13
7. TECHNICAL SERVICE	14
8. WARRANTY TERMS	14
9. PACKAGING, SHIPPING AND DELIVERY	15
10. MATERIALS DIFFERENTIATION	16

Thanks for choosing an *OFF CARR* product.

Since 1982 *OFF CARR* listens and responds to the customers' needs by developing highly innovative and technologic solutions, always aimed at reducing daily mobility problems, with special attention to product style and to improving customers' life quality.

OFF CARR has a certified system for quality management following UNI EN ISO 9001:2015 regulations and a productive system certified following UNI EN ISO 13485:2016 regulations. These certifications offer prestige to the company and find confirmation in the quality of products and in customer satisfaction.

***OFF CARR* products meet the 93/42/CEE directives, upgraded with the 2007/47/CE directive.**



**Before using or making adjustments on this device, carefully read what reported on this instruction manual.
In case of need, please contact an authorized dealer.**

OFF CARR s.r.l.

Via dell'Artigianato II, 29

35010 Villa del Conte (Padova) Italy

Tel. +39 049 9325733 Fax +39 049 9325734

E-mail: offcarr@offcarr.com <http://www.offcarr.com>

1. Introduction

The handbike COSTA KID is a non-intrusive medical device, specifically designed to reduce and counterbalance a physical handicap.



It is forbidden to use the products or parts of them in different ways from those described on this manual.

1.1 COSTA KID description

The hand-bikes COSTA KID is a 8-gear in-hub shift with dual lever brakes (one controlling the front wheel brake, the other controlling the rear wheel ones). It is a 3 wheel manually pushed handbike with a rigid aluminium frame. Other details are made of composite materials, such as carbon fibre and aluminium and steel alloys. A wide range of colours and accessories is available to custom-fit the handbike to every customer's demands. The seat and back upholsteries are usually made of black nylon but breathable material is available as an accessory. The backrest material can be easily removed and washed.

The rear wheels are 20", mounting a fixed axle, and have a camber of 6°.

The handbike is supplied with a parking brake and a standard brake. Disc brakes are available upon request.

All COSTA KID models feature:

- Aluminium frame
- Height and depth adjustable seat
- Adjustable back-rest angle
- Adjustable foot-rest extension
- 20" rear and front wheels MTB
- 6° rear wheel camber
- Double brakes on cranks
- Legs and foot stopping belts
- Parking brake
- Tension adjustable back-rest upholstery
- Total length is 155 cm including the wheels
- Total width is 71 cm (6° camber)
- Weight: 23 kg (standard setup)
- Maximum load 115 Kg

COSTA KID is available with many non-standard features (see order form for the complete list), including quadriplegic-specific handles, rear bumper bar, and water bottle holder, and is available in a wide range of colours (all the colours available in the OFFCARR catalogue).

2. Preparation for use



The preparation for use of these devices must be performed by qualified personnel both to evaluate the suitability of the product and to provide the correct instructions to the user.

2.1 Handbike preparation

- The handbike is shipped with the rear wheels not assembled.
- Mount the rear wheels, properly fixing the rear wheel axle with the correct bolt.

2.2 Tyre pressure check

A periodical check of the tyre pressure helps to keep the handbike efficient and more comfortable.

Verify the tyre pressure value according to the value marked on the tyre.

The correct value for high-pressure tyres is approximately 7.5 BAR. The specific value may vary and is always available on every tyre.

2.3 Checking the brakes

To check the functioning and the efficiency of the parking brakes perform the following steps:

1. Try raising and spinning each wheel to see if it is blocked with the brakes deactivated
2. Activate the brakes
3. Try raising and spinning the wheel to see if it is blocked.

If the wheel was blocked on step 1, the brakes' cables are too tight, if it is not locked on step 3, they are too loose (See par. 3.5: adjusting brake tension).

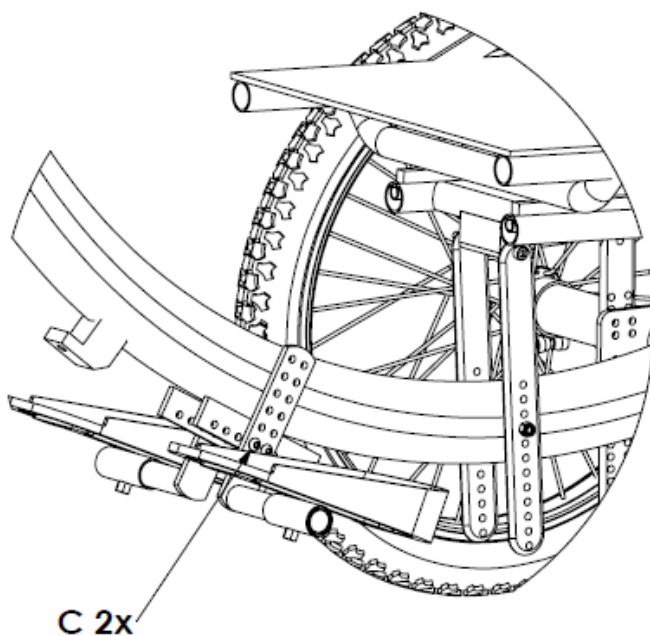
2.4 Checking the accessories

Any accessory required at the time of the configuration of the handbike may be shipped separately. If so they should be properly installed before using the handbike.

3. Setting up COSTA KID

The handbike shipping setup matches the order form. The selected parameters in the order form, should fit the customer at best. It is still possible to perform further setup adjustments to meet even more the user's needs.

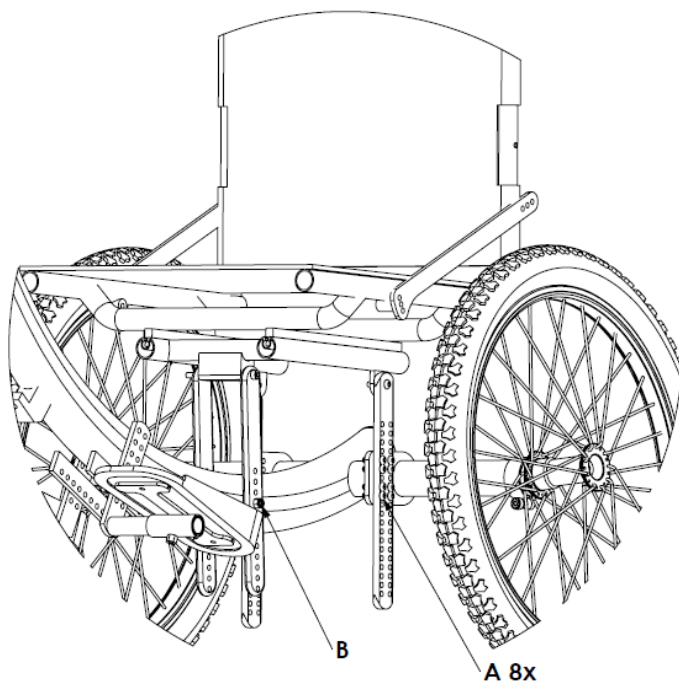
Please refer to authorized and qualified personnel only to perform any type of adjustment on the handbike.



3.1 Setting the height of the seat

To change the seat height:

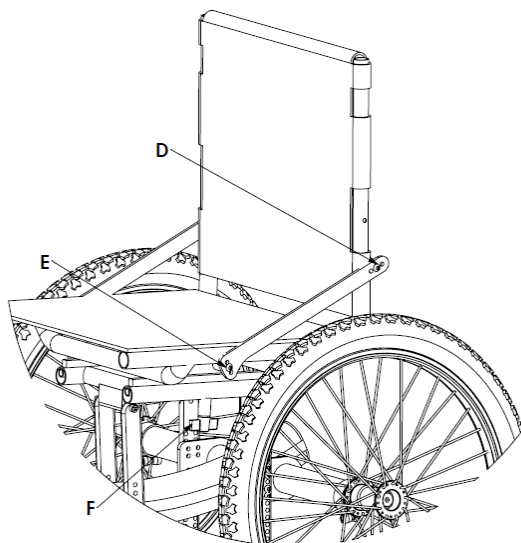
- Rear seat height: unscrew completely and remove all the 16 screws marked as A on the drawing below, from the adjusting plate attached to the hand-bike frame.
- Change the height of the seat matching the holes both in the plates and the frame.
- Put the screw back and tighten it.
- Front seat height: unscrew completely and remove the B screw from the adjusting plate attached to the hand-bike frame
- Change the height of the seat matching the holes in the plates and in the frame.
- Put all the screws back and tighten them properly.



3.2 Setting the foot-rest position

To change the foot rest position horizontally and vertically:

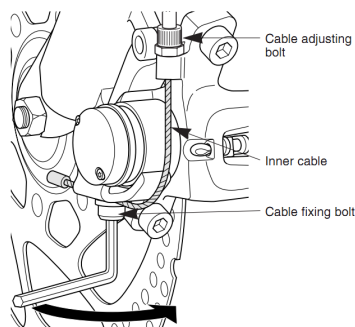
- Remove the bracket-holding screws C at the side of the foot rest.
- Move the foot-rest to the desired position
- Tighten the screws properly.



3.3 Setting the back-rest angle

To change the back-rest angle:

- Remove the backrest-inclination screws D or E or both (on both sides)
- Find the desired position aligning the holes on the plate to those on the seat and backrest tubes
- Put the screws back and tighten carefully all bolts back in place.



3.4 Moving the seat horizontally

It is possible if necessary to move the seat horizontally in the sleighs in order to make the transfer easier.

Unscrews the thumbs screws F under the seat and move the seat in the sleighs at the desired position. **It is very important to tighten the thumbscrews carefully again when the user is in the right position to drive the hand-bike.**

3.5 Adjusting brake tension

For V brakes (standard bike brakes):

1. Unscrew the bolt that holds the inner cable tension
2. Adjust the inner cable (lengthen it to lose the brake tension and tighten it to increase it)
3. Tighten the bolt

For disc brakes

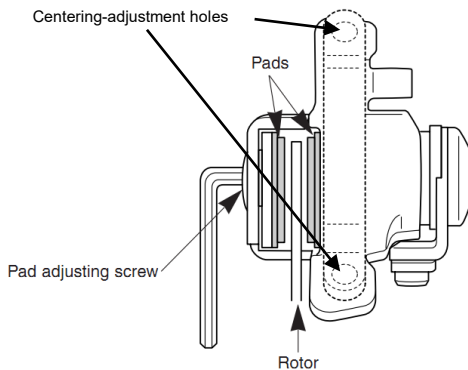
- Screw/unscrew (unscrew to loosen tension/screw to increase it) the cable adjusting bolt until reaching the desired tension

If this is not enough:

- Use an Allen wrench to unscrew the cable fixing bolt and, while releasing the lever, manually position the cable to the desired position, then tighten the screw back

Sometimes the brakes' malfunctioning is not due to the cable tension, but to the pads' misplacement, if this is the case:

1. Screw/unscrew the pad adjusting screw
2. Then adjust the centre by loosening the screws that hold the centering-adjustment holes tight, then move the whole caliper until the rotor is precisely in its centre
3. Tighten the screws back



4. Use of the handbike

Here are some suggestions and recommendations for proper use of the handbike, also aimed at maintaining the security features in time and duration. For any further information, consult qualified personnel.

- The hand-bike should be only used for the transport of a person and not of objects in general
- Avoid contact with sea water and sand. If by any chance this happens proceed to an immediate and accurate cleaning
- Perform a general check of the handbike periodically, in particular by checking tyre inflations, the working of the axes fixing the rear wheels, the efficiency of the brakes and lubricate when needed
- Clean periodically the handbike using a damp cloth and avoid even partial immersion
- The handbike in specific setups can include among its parts some chromed metal components. If you are allergic to chromium do not use the device and inform the producer for the required substitutions, if not already specified in the order form. Please notify the company if allergies or other similar problems due to contact with materials making up the handbike are developed
- The fabric used for the upholstery of the handbike is not waterproof. In case of necessity it can be washed with water at low temperature

 **Keep the handbike away from heat sources, as not all coatings in the order form are fireproof**

5. Safety measures

- ⚠ It is suggested to verify the proper assembly and the efficiency of the axle fixing of the rear wheel before using the hand-bike and always after removing or assembling the rear wheels
- ⚠ In order to maintain the hand-bike efficient and safe it is suggested to perform a maintenance schedule, regularly checking the functioning of its parts
- ⚠ Ineffective maintenance operations and improper use of the device could cause damage and injury to the user
- ⚠ In case of transport by plane is recommended to reduce the tyre pressure
- ⚠ Before transferring from/to the hand-bike remember to activate the parking brake

Maintenance, inspections and controls

- ✓ Before each trip, check the efficiency of each brake.

Weekly:

- ✓ Check the tyre pressure. Each tyre shows on the lateral bands the maximum pressure for which they were designed. A flat tyre affects the agility of the handbike and the required pushing effort.

Quarterly:

- ✓ Check the wear of the tyres.
- ✓ Check the efficiency of the bearings on the wheels.
- ✓ Lubricate transmission parts (all moving mechanical parts including gears, chain, wheel hubs and cranks).

It is recommended to refer only to authorized and qualified personnel to perform adjustments and components replacement on the hand-bike.

6. Technical service

For any problems, fault or breakage please inform immediately the authorized dealer supplying the following indications:

- a) model
- b) serial number
- c) fault description
- d) any reference or order number, if available, recorded on the order form.

Every component of the hand-bike is available as spare part.

7. Warranty terms

- The frame is guaranteed for two years from the delivery date of the wheelchair.
- Parts subject to normal wear and tear are not covered by the guarantee, unless wear is caused by a manufacturing fault.
- The guarantee does not cover transport.
- If a fault occurs during the guarantee period, OFF CARR will:
 - Repair the faulty part
 - Replace the faulty part
- The guarantee does not cover damage caused by negligence, improper use, mishandling or incorrect maintenance by unauthorised personnel or by the user.
- OFF CARR is not responsible for damages caused during transport. The forwarder company is the only responsible, therefore please inform both the forwarder company and OFF CARR of any damage that has been caused by the transport.
- This guarantee does not cover injury or others damages eventually related to a malfunctioning of the wheelchair.
- The identification number label must never be removed from the wheelchair frame, otherwise the guarantee is no longer valid

8. Packaging, shipping and delivery

All the OFF CARR hand-bikes are shipped in closed cardboard cases to protect them from bumps and dust.

The package includes the handbike configured according with the order form, this Instruction manual and a tool kit.

The handbike must be transported in trucks that protect it from atmospheric agents, as shown on the packing box.

Upon receipt, check the box integrity and in case of problems immediately notify them on the waybill.

Open the package, remove the handbike and check that it is not damaged. In case of problems, note your remark on the waybill and notify them immediately to the forwarder.

Once these checks have been carried out, place again the handbike in its packing until its use and keep it in a dry place.

Do not place any objects over the packing case.

Materials differentiation

Handbikes are made of Aluminium alloy (Al 5754, Al6082, Al6061, Al2017), steel (AISI303), stainless still, Carbon fibre, polyurethane, epoxy resins, other composite materials.

Replaced parts and disposal of such materials must be in compliance with the local applicable laws.

For product disposal contact your dealer.

OFF CARR s.r.l. reserves the right to make improvements and / or changes its products without notice with respect of the device features, suitability and certifications, the warranty contract and the availability of spare parts according with the terms of law.